

Waveguide to Coaxial Adapter WR51 (BJ180)

Application

- ▶ Testing and measuring equipment.
- ▶ Radar and communication systems.
- ▶ Satellite and wireless communication.
- ▶ Compact wiring scenario.
- ▶ It supports a one-year standard warranty.

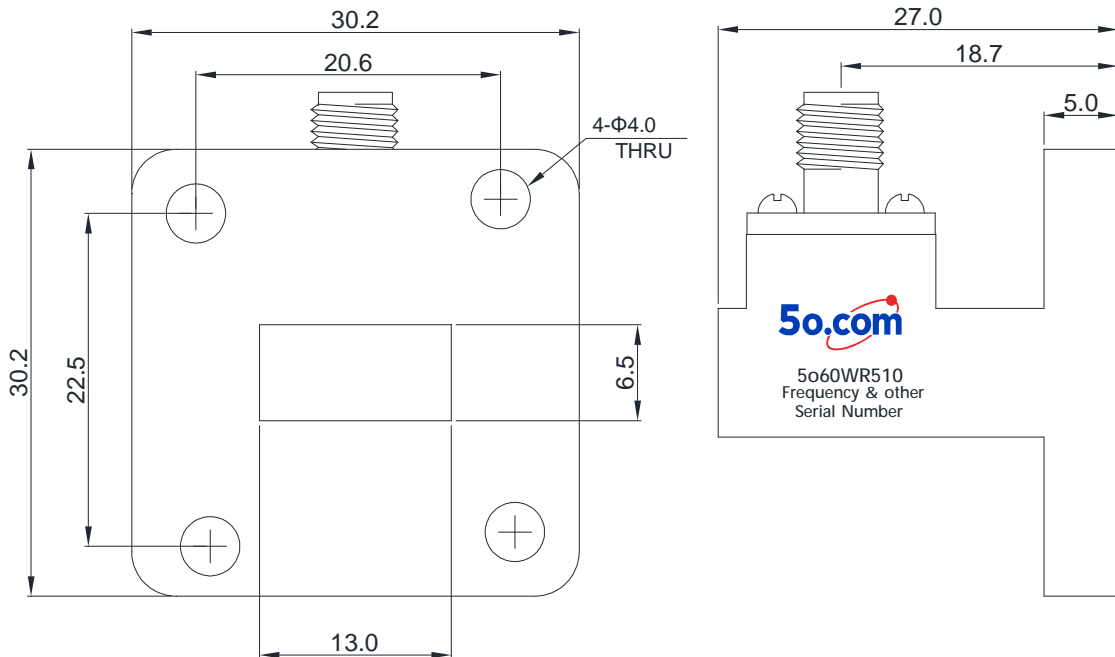
RF Characteristics

Part Number	Frequency Range (GHz)	Insertion Loss Max(dB)	VSWR Max	Connector Type (Waveguide)	Connector Type
5o60WR51014522SK	14.5 ~ 22.0	0.25	1.2	WR51 (BJ180)	SMA Female
5o60WR51014522KK	14.5 ~ 22.0	0.25	1.2	WR51 (BJ180)	2.92mm Female

Basic Specifications

Power	50W	Impedance	50Ω
Peak Power	1W	Operating Temperature	-55 ~ +85°C
Connector Type (Waveguide)	WR51(BJ180)	Storage Temperature	-55~+125°C

Overall Dimension(mm)



Tolerances: ±2% unless otherwise stated.