

# Waveguide to Coaxial Adapter WR42 (BJ220)

## Application

- ▶ Testing and measuring equipment.
- ▶ Radar and communication systems.
- ▶ Satellite and wireless communication.
- ▶ Compact wiring scenario.
- ▶ It supports a one-year standard warranty.

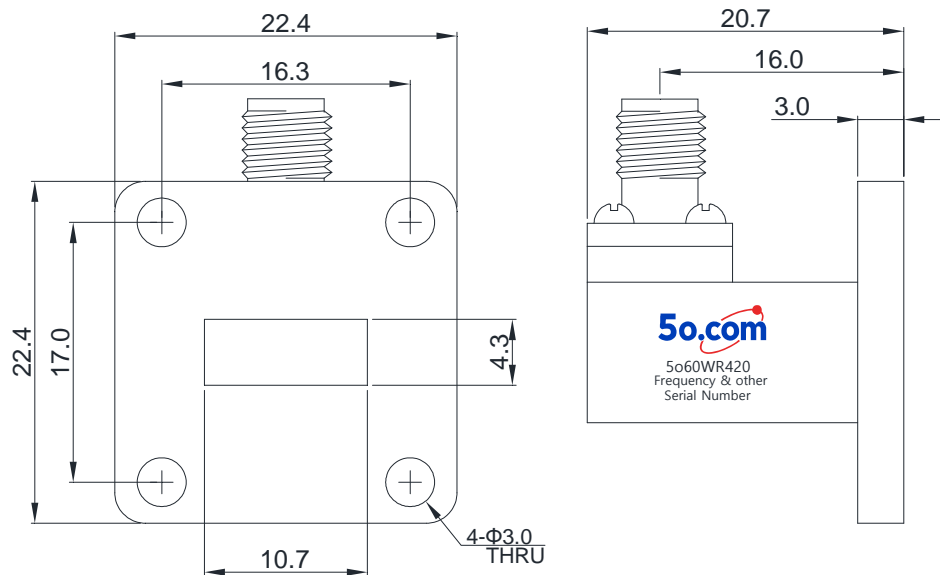
## RF Characteristics

| Part Number      | Frequency Range (GHz) | Insertion Loss Max(dB) | VSWR Max | Connector Type (Waveguide) | Connector Type |
|------------------|-----------------------|------------------------|----------|----------------------------|----------------|
| 5o60WR42018265SK | 18.0 ~ 26.5           | 0.25                   | 1.2      | WR42 (BJ220)               | SMA Female     |
| 5o60WR42018265SJ | 18.0 ~ 26.5           | 0.25                   | 1.2      | WR42 (BJ220)               | SMA Male       |
| 5o60WR42018265KK | 18.0 ~ 26.5           | 0.25                   | 1.2      | WR42 (BJ220)               | 2.92mm Female  |
| 5o60WR42018265KJ | 18.0 ~ 26.5           | 0.25                   | 1.2      | WR42 (BJ220)               | 2.92mm Male    |

## Basic Specifications

|                            |             |                       |             |
|----------------------------|-------------|-----------------------|-------------|
| Power                      | 3W          | Impedance             | 50Ω         |
| Peak Power                 | 1W          | Operating Temperature | -55 ~ +85°C |
| Connector Type (Waveguide) | WR42(BJ220) | Storage Temperature   | -55~+125°C  |

## Overall Dimension(mm)



Tolerances: ±2% unless otherwise stated.