

Waveguide to Coaxial Adapter WR284 (BJ32)

Application

- ▶ Testing and measuring equipment.
- ▶ Radar and communication systems.
- ▶ Satellite and wireless communication.
- ▶ Compact wiring scenario.
- ▶ It supports a one-year standard warranty.

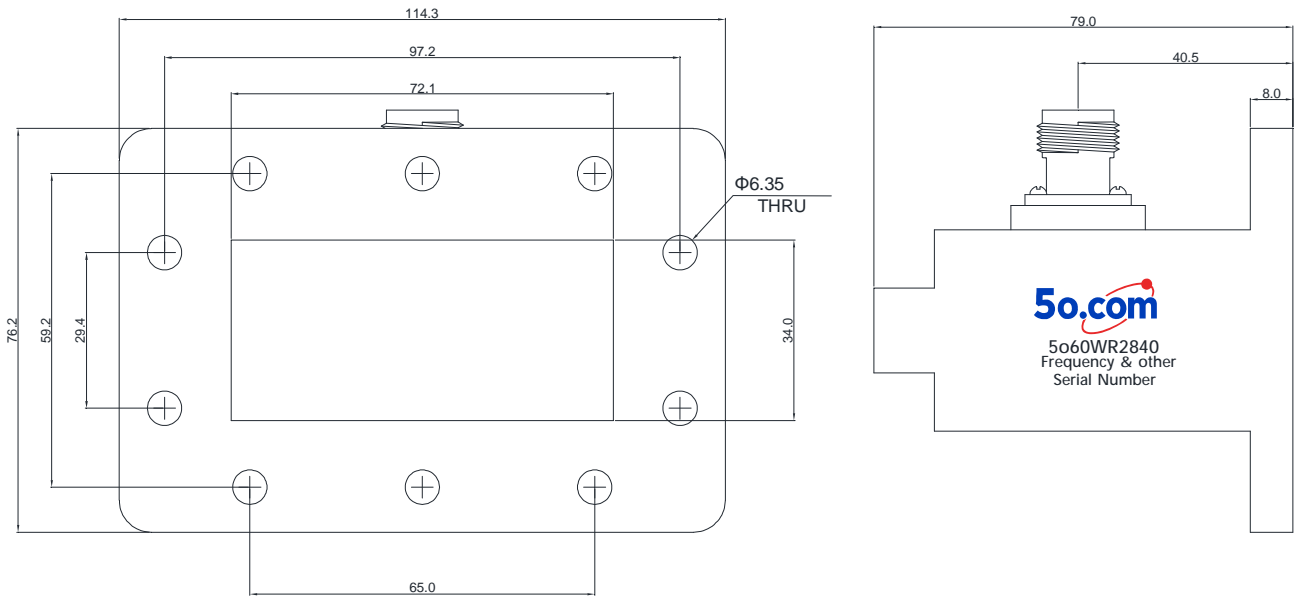
RF Characteristics

Part Number	Frequency Range (GHz)	Insertion Loss Max(dB)	VSWR Max	Connector Type (Waveguide)	Connector Type
5o60WR284026395NK	2.6 ~ 3.95	0.15	1.15	WR284 (BJ32)	N Female
5o60WR284026395SK	2.6 ~ 3.95	0.15	1.15	WR284 (BJ32)	SMA Female
5o60WR284026395DK	2.6 ~ 3.95	0.15	1.15	WR284 (BJ32)	7/16 Female

Basic Specifications

Power	100W	Impedance	50Ω
Peak Power	3W	Operating Temperature	-55 ~ +85°C
Connector Type (Waveguide)	WR284(BJ32)	Storage Temperature	-55~+125°C

Overall Dimension(mm)



Tolerances: ±2% unless otherwise stated.