

Waveguide to Coaxial Adapter WR28 (BJ320)

Application

- ▶ Testing and measuring equipment.
- ▶ Radar and communication systems.
- ▶ Satellite and wireless communication.
- ▶ Compact wiring scenario.
- ▶ It supports a one-year standard warranty.

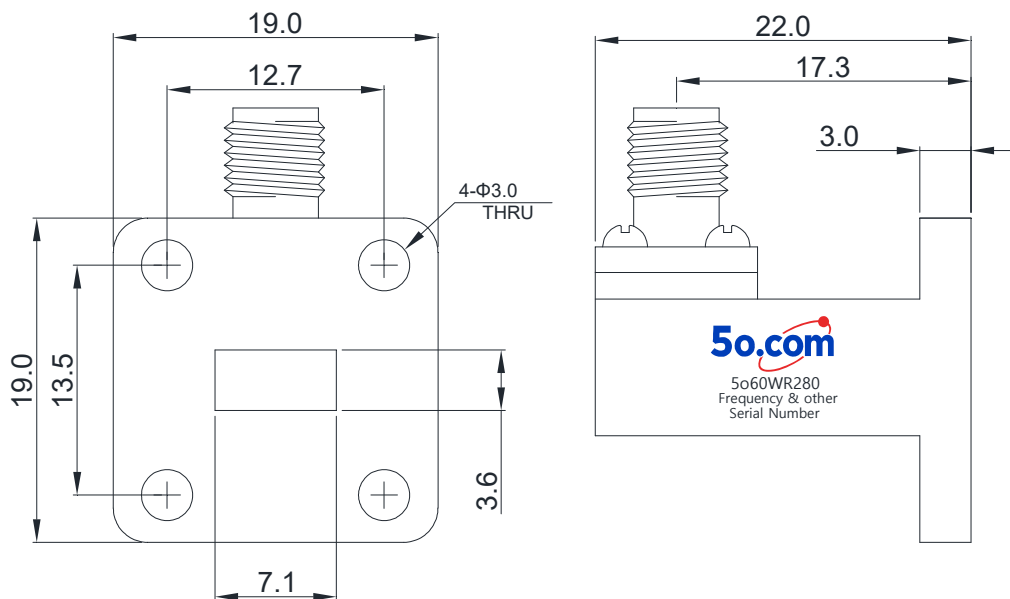
RF Characteristics

Part Number	Frequency Range (GHz)	Insertion Loss Max(dB)	VSWR Max	Connector Type (Waveguide)	Connector Type
5o60WR28026540KK	26.5 ~ 40.0	0.25	1.25	WR28 (BJ320)	2.92mm Female
5o60WR28026540KJ	26.5 ~ 40.0	0.25	1.25	WR28 (BJ320)	2.92mm Male
5o60WR2802654024K	26.5 ~ 40.0	0.25	1.25	WR28 (BJ320)	2.4mm Female
5o60WR28026540K24J	26.5 ~ 40.0	0.25	1.25	WR28 (BJ320)	2.4mm Male

Basic Specifications

Power	3W	Impedance	50Ω
Peak Power	100W	Operating Temperature	-55 ~ +85°C
Connector Type (Waveguide)	WR28(BJ320)	Storage Temperature	-55~+125°C

Overall Dimension(mm)



Tolerances: ±2% unless otherwise stated.