

Waveguide to Coaxial Adapter WR229(BJ40)

Application

- ▶ Testing and measuring equipment.
- ▶ Radar and communication systems.
- ▶ Satellite and wireless communication.
- ▶ Compact wiring scenario.
- ▶ It supports a one-year standard warranty.

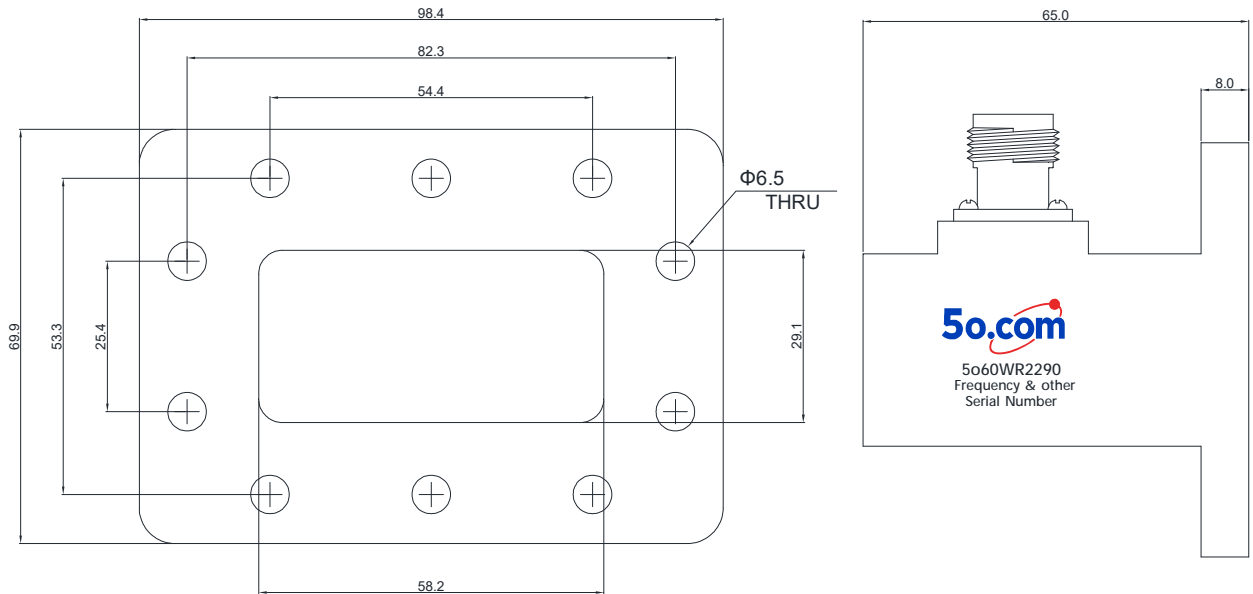
RF Characteristics

Part Number	Frequency Range (GHz)	Insertion Loss Max(dB)	VSWR Max	Connector Type (Waveguide)	Power (W)	Connector Type
5o60WR229032249NK	3.22 ~ 4.9	0.15	1.15	WR229 (BJ40)	100	N Female
5o60WR229032249SK	3.22 ~ 4.9	0.15	1.15	WR229 (BJ40)	50	SMA Female

Basic Specifications

Power	50W/100W	Impedance	50Ω
Peak Power	3W	Operating Temperature	-55 ~ +85°C
Connector Type (Waveguide)	WR229(BJ40)	Storage Temperature	-55~+125°C

Overall Dimension(mm)



Tolerances: ±2% unless otherwise stated.