

Waveguide to Coaxial Adapter WR22 (BJ400)

Application

- ▶ Testing and measuring equipment.
- ▶ Radar and communication systems.
- ▶ Satellite and wireless communication.
- ▶ Compact wiring scenario.
- ▶ It supports a one-year standard warranty.

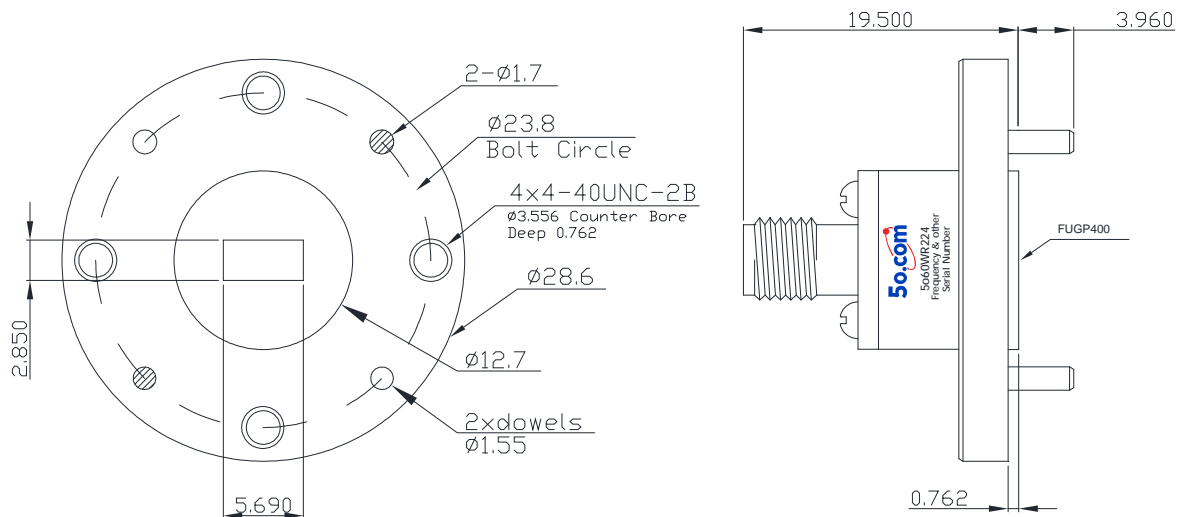
RF Characteristics

Part Number	Frequency Range (GHz)	Insertion Loss Max(dB)	VSWR Max	Connector Type (Waveguide)	Connector Type
5o60WR224335024K	33.0 ~ 50.0	0.5	1.6	WR22 (BJ400)	2.4mm Female

Basic Specifications

Power	3W	Impedance	50Ω
Peak Power	100W	Operating Temperature	-55 ~ +85°C
Connector Type (Waveguide)	WR22 (BJ400)	Storage Temperature	-55 ~ +125°C

Overall Dimension(mm)



Tolerances: $\pm 2\%$ unless otherwise stated.