

# Waveguide to Coaxial Adapter WR19 (BJ500)

## Application

- ▶ Testing and measuring equipment.
- ▶ Radar and communication systems.
- ▶ Satellite and wireless communication.
- ▶ Compact wiring scenario.
- ▶ It supports a one-year standard warranty.

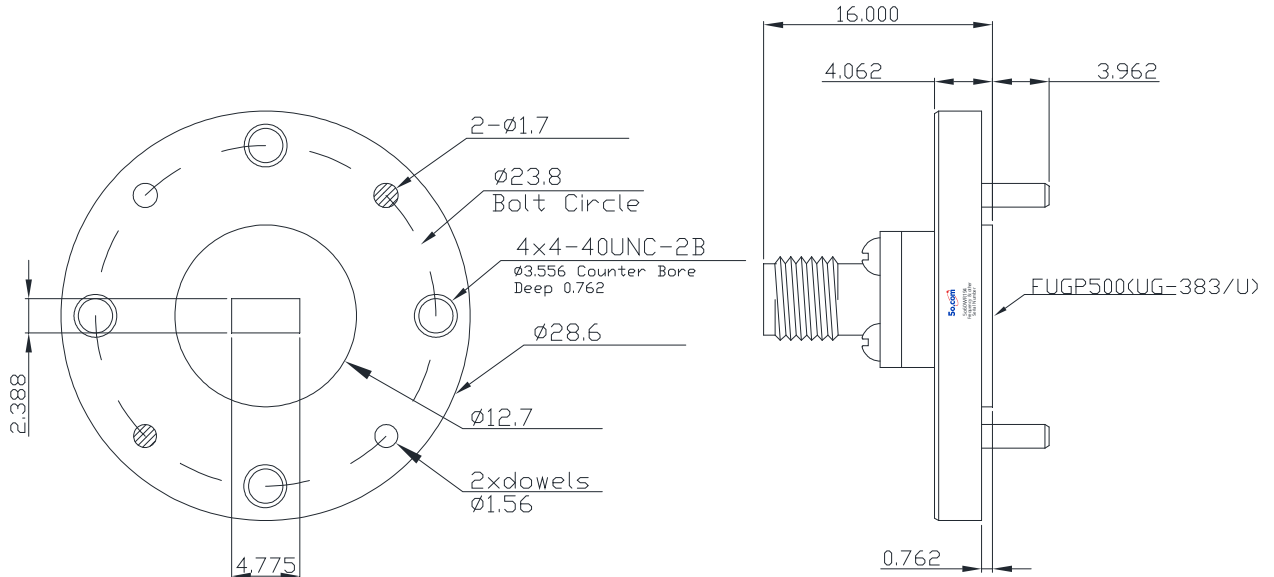
## RF Characteristics

Part Number	Frequency Range (GHz)	Insertion Loss Max(dB)	VSWR Max	Connector Type (Waveguide)	Connector Type
5o60WR1944060185K	40.0 ~ 60.0	1.0	1.8	WR19 (BJ500)	1.85mm Female

## Basic Specifications

Power	3W	Impedance	50Ω
Peak Power	100W	Operating Temperature	-55 ~ +85°C
Connector Type (Waveguide)	WR19(BJ500)	Storage Temperature	-55~+125°C

## Overall Dimension(mm)



Tolerances: ±2% unless otherwise stated.