

Waveguide to Coaxial Adapter WR187 (BJ48)

Application

- ▶ Testing and measuring equipment.
- ▶ Radar and communication systems.
- ▶ Satellite and wireless communication.
- ▶ Compact wiring scenario.
- ▶ It supports a one-year standard warranty.

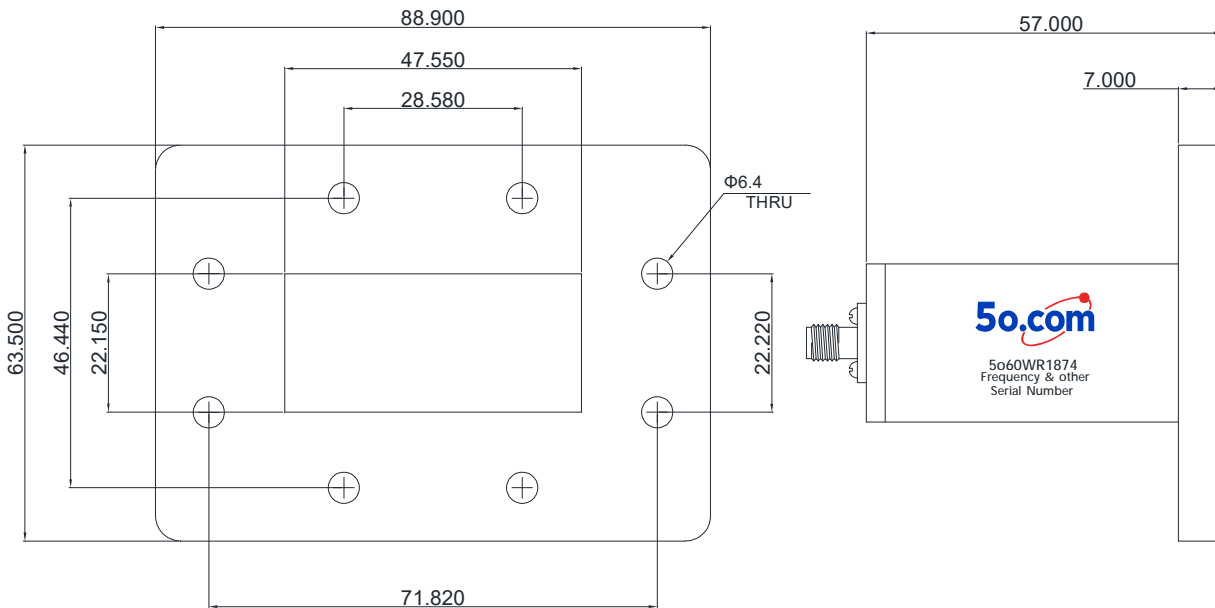
RF Characteristics

Part Number	Frequency Range (GHz)	Insertion Loss Max(dB)	VSWR Max	Connector Type (Waveguide)	Connector Type
5o60WR18743394599NK	3.94 ~ 5.99	0.3	1.25	WR187 (BJ48)	N Female
5o60WR18743394599SK	3.94 ~ 5.99	0.3	1.25	WR187 (BJ48)	SMA Female

Basic Specifications

Power	100W	Impedance	50Ω
Peak Power	3KW	Operating Temperature	-55 ~ +85°C
Connector Type (Waveguide)	WR187(BJ48)	Storage Temperature	-55~+125°C

Overall Dimension(mm)



Tolerances: $\pm 2\%$ unless otherwise stated.