

Waveguide to Coaxial Adapter WR187 (BJ48)

Application

- ▶ Testing and measuring equipment.
- ▶ Radar and communication systems.
- ▶ Satellite and wireless communication.
- ▶ Compact wiring scenario.
- ▶ It supports a one-year standard warranty.

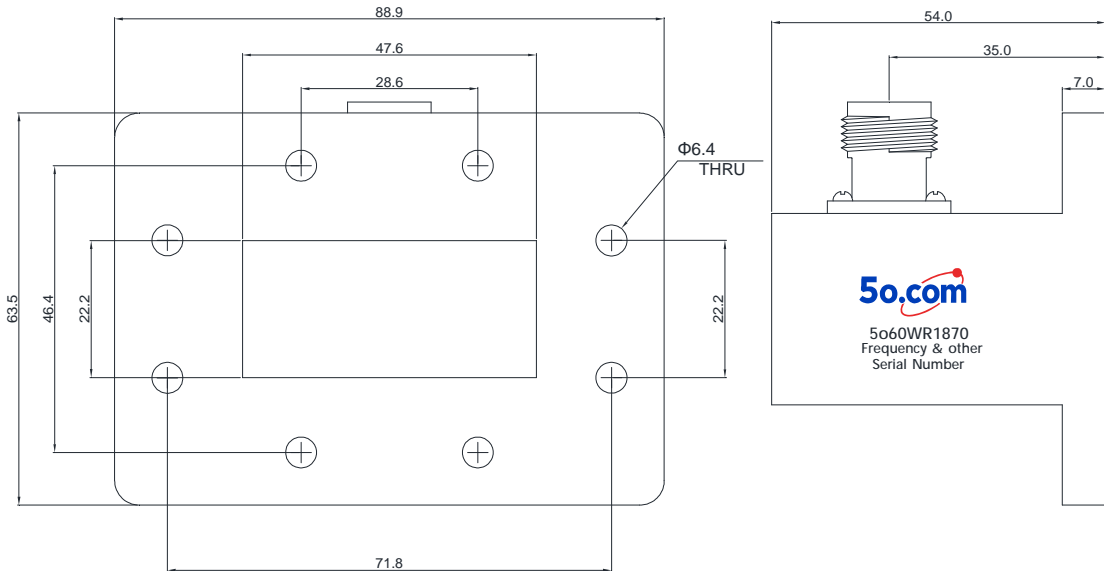
RF Characteristics

| Part Number | Frequency Range (GHz) | Insertion Loss Max(dB) | VSWR Max | Connector Type (Waveguide) | Connector Type |
|---------------------|-----------------------|------------------------|----------|----------------------------|----------------|
| 5o60WR18703394599NK | 3.94 ~ 5.99 | 0.15 | 1.15 | WR187 (BJ48) | N Female |
| 5o60WR18703394599SK | 3.94 ~ 5.99 | 0.15 | 1.15 | WR187 (BJ48) | SMA Female |

Basic Specifications

| | | | |
|----------------------------|-------------|-----------------------|-------------|
| Power | 100W | Impedance | 50Ω |
| Peak Power | 3W | Operating Temperature | -55 ~ +85°C |
| Connector Type (Waveguide) | WR187(BJ48) | Storage Temperature | -55~+125°C |

Overall Dimension(mm)



Tolerances: ±2% unless otherwise stated.