

Waveguide to Coaxial Adapter WR159 (BJ58)

Application

- ▶ Testing and measuring equipment.
- ▶ Radar and communication systems.
- ▶ Satellite and wireless communication.
- ▶ Compact wiring scenario.
- ▶ It supports a one-year standard warranty.

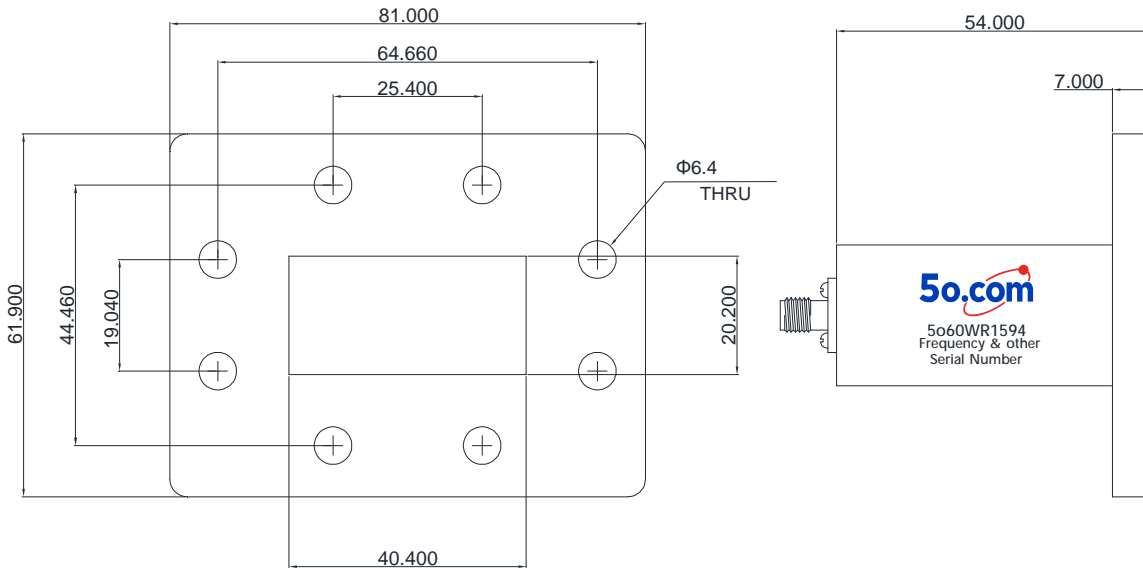
RF Characteristics

| Part Number | Frequency Range (GHz) | Insertion Loss Max(dB) | VSWR Max | Connector Type (Waveguide) | Connector Type |
|--------------------|-----------------------|------------------------|----------|----------------------------|----------------|
| 5o60WR1594467705NK | 4.67 ~ 7.05 | 0.3 | 1.25 | WR159 (BJ58) | N Female |
| 5o60WR1594467705SK | 4.67 ~ 7.05 | 0.3 | 1.25 | WR159 (BJ58) | SMA Female |

Basic Specifications

| | | | |
|----------------------------|-------------|-----------------------|-------------|
| Power | 100W | Impedance | 50Ω |
| Peak Power | 3KW | Operating Temperature | -55 ~ +85°C |
| Connector Type (Waveguide) | WR159(BJ58) | Storage Temperature | -55~+125°C |

Overall Dimension(mm)



Tolerances: $\pm 2\%$ unless otherwise stated.