

Waveguide to Coaxial Adapter WR159 (BJ58)

Application

- ▶ Testing and measuring equipment.
- ▶ Radar and communication systems.
- ▶ Satellite and wireless communication.
- ▶ Compact wiring scenario.
- ▶ It supports a one-year standard warranty.

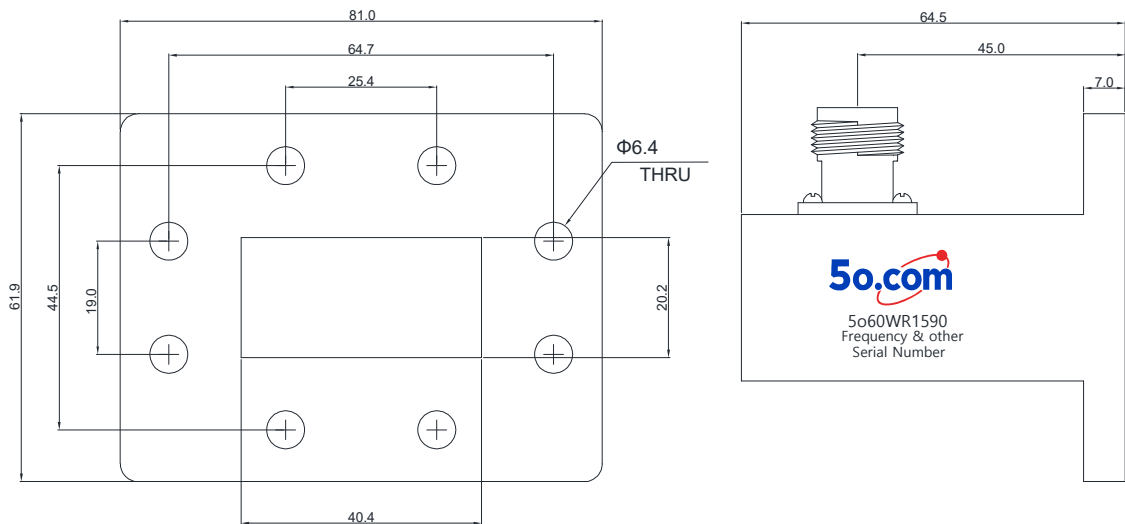
RF Characteristics

Part Number	Frequency Range (GHz)	Insertion Loss Max(dB)	VSWR Max	Connector Type (Waveguide)	Connector Type
5o60WR1590467705NK	4.67 ~ 7.05	0.2	1.15	WR159 (BJ58)	N Female
5o60WR1590467705SK	4.67 ~ 7.05	0.2	1.15	WR159 (BJ58)	SMA Female

Basic Specifications

Power	100W	Impedance	50Ω
Peak Power	3W	Operating Temperature	-55 ~ +85°C
Connector Type (Waveguide)	WR159(BJ58)	Storage Temperature	-55~+125°C

Overall Dimension(mm)



Tolerances: ±2% unless otherwise stated.