

Directional Coupler 2.5 ~5.2GHz

Application

- ▶ Applications of Radio frequency and Microwave systems.
- ▶ Industrial and sensing applications.
- ▶ Radio frequency mixing and filtering.
- ▶ High power processing, anti-interference test , etc.
- ▶ It supports a one-year standard warranty.

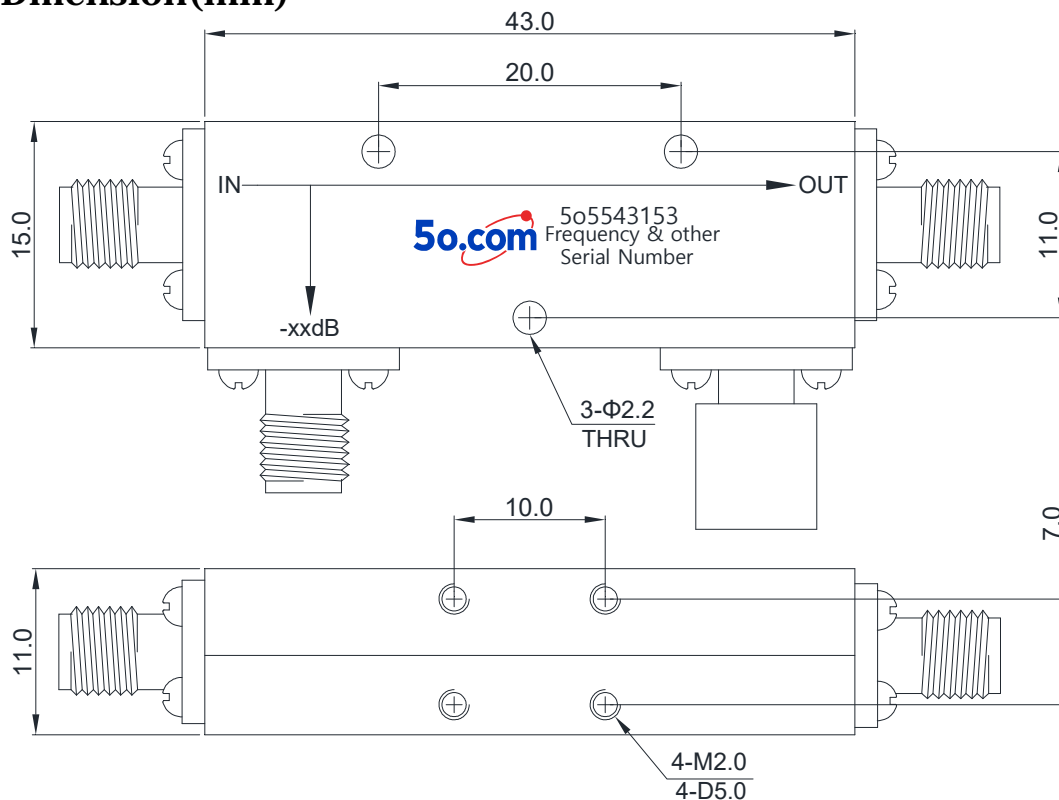
RF Characteristics

Part Number	Frequency Range (GHz)	Nominal Coupling(dB)	Flatness (dB)	IL. (dB)	Directivity (dB)	VSWR	Connector Type
5o554315325526SK	2.5 ~5.2	6±1	±1.0	1.8	20	1.5	SMA Female
5o5543153255210SK	2.5 ~5.2	10±1	±0.7	0.8	18	1.25	SMA Female
5o5543153255220SK	2.5 ~5.2	20±1	±0.7	0.5	18	1.25	SMA Female
5o5543153255230SK	2.5 ~5.2	30±1	±0.7	0.5	18	1.25	SMA Female

Basic Specifications

Dimension	43*15*11mm	Connector Type	SMA Female
Power	50W	Operating Temperature	-55 ~ +85°C
Impedance	50Ω	Storage Temperature	-55~+125°C

Overall Dimension(mm)



Tolerances: ±2% unless otherwise stated.