

Directional Coupler 350 ~ 520MHz

Application

- ▶ Applications of Radio frequency and Microwave systems.
- ▶ Industrial and sensing applications.
- ▶ Radio frequency mixing and filtering.
- ▶ High power processing, anti-interference test , etc.
- ▶ It supports a one-year standard warranty.

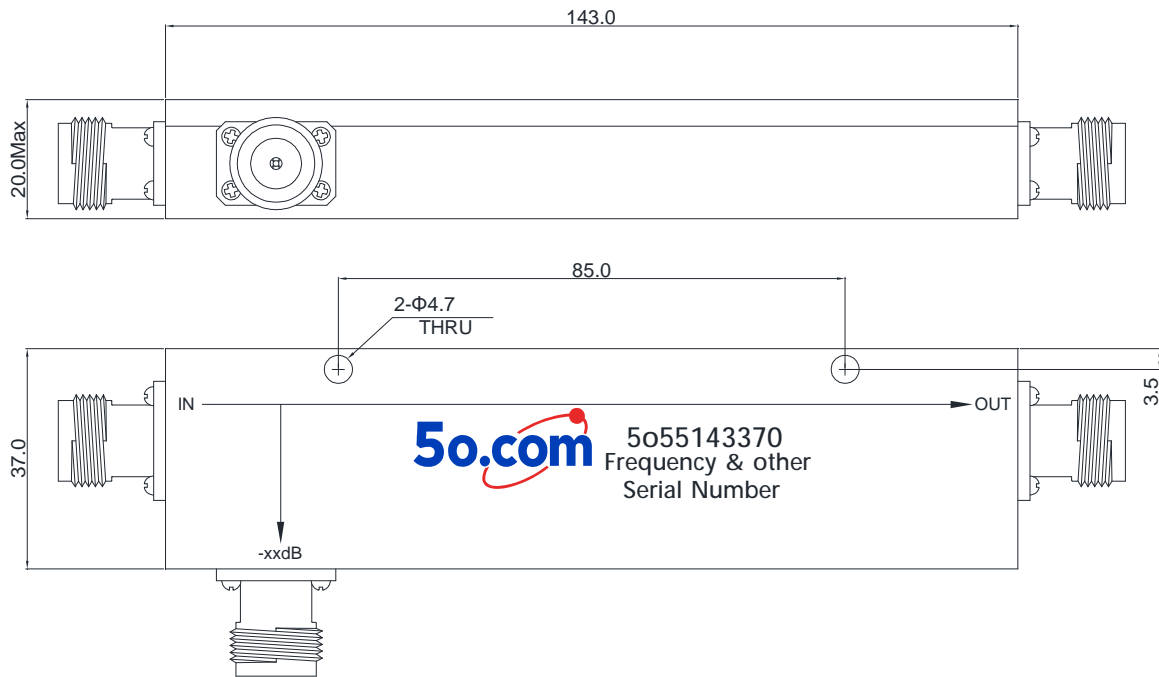
RF Characteristics

Part Number	Frequency Range (MHz)	Nominal Coupling(dB)	IL. (dB)	Directivity (dB)	VSWR	Connector Type
5o551433703505205NK	350 ~ 520	5±0.8	2.1	20	1.25	N Female
5o551433703505206NK	350 ~ 520	6±0.8	1.7	20	1.25	N Female
5o551433703505207NK	350 ~ 520	7±0.8	1.4	20	1.25	N Female
5o551433703505208NK	350 ~ 520	8±0.8	1.0	20	1.25	N Female
5o5514337035052010NK	350 ~ 520	10±1.0	0.8	20	1.25	N Female
5o5514337035052013NK	350 ~ 520	13±1.0	0.5	20	1.25	N Female
5o5514337035052015NK	350 ~ 520	15±1.2	0.4	20	1.25	N Female
5o5514337035052020NK	350 ~ 520	20±1.2	0.22	20	1.25	N Female
5o5514337035052030NK	350 ~ 520	30±1.5	0.2	20	1.25	N Female
5o5514337035052040NK	350 ~ 520	40±1.5	0.2	20	1.25	N Female

Basic Specifications

Dimension	143*37*20mm	Connector Type	N Female
Power	200W	Operating Temperature	-20 ~ +70°C
Impedance	50Ω	Storage Temperature	-55~+125°C

Overall Dimension(mm)



Tolerances: ±2% unless otherwise stated.