

# Directional Coupler 9.0 ~ 10.0GHz

## Application

- ▶ Applications of Radio frequency and Microwave systems.
- ▶ Industrial and sensing applications.
- ▶ Radio frequency mixing and filtering.
- ▶ High power processing, anti-interference test , etc.
- ▶ It supports a one-year standard warranty.

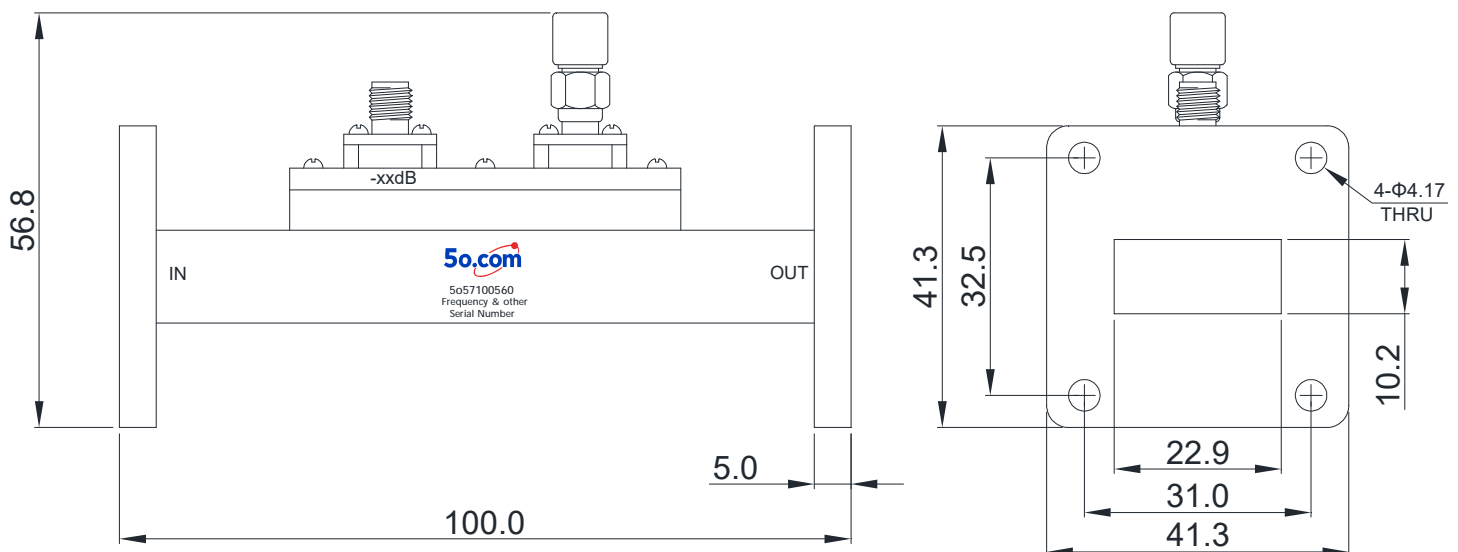
## RF Characteristics

Part Number	Frequency Range (GHz)	Nominal Coupling(dB)	IL. (dB)	Directivity (dB)	VSWR	Connector Type
5o551005609106100SK	9.0 ~10.0	6±0.7	0.2	15	1.1	WR90(BJ100) CP: SMA Female
5o5510056091010100SK	9.0 ~10.0	10±0.7	0.2	15	1.1	WR90(BJ100) CP: SMA Female
5o5510056091020100SK	9.0 ~10.0	20±0.7	0.2	15	1.1	WR90(BJ100) CP: SMA Female
5o5510056091030100SK	9.0 ~10.0	30±0.7	0.2	15	1.1	WR90(BJ100) CP: SMA Female
5o5510056091040100SK	9.0 ~10.0	40±0.7	0.2	15	1.1	WR90(BJ100) CP: SMA Female
5o5510056091050100SK	9.0 ~10.0	50±0.7	0.2	15	1.1	WR90(BJ100) CP: SMA Female

## Basic Specifications

Dimension	100*41.3*56.8mm	Impedance	50Ω
Average Power	5KW	Operating Temperature	-55 ~ +85°C
Peak Power	50KW	Storage Temperature	-55~+125°C

## Overall Dimension(mm)



Tolerances: ±2% unless otherwise stated.