

4 Way Power Divider 18.0 ~ 40.0GHz

Application

- ▶ Wireless communication system.
- ▶ Radar and satellite systems.
- ▶ It supports a one-year standard warranty.
- ▶ Military, Space and Commercial applications.
- ▶ Testing and measuring equipment.

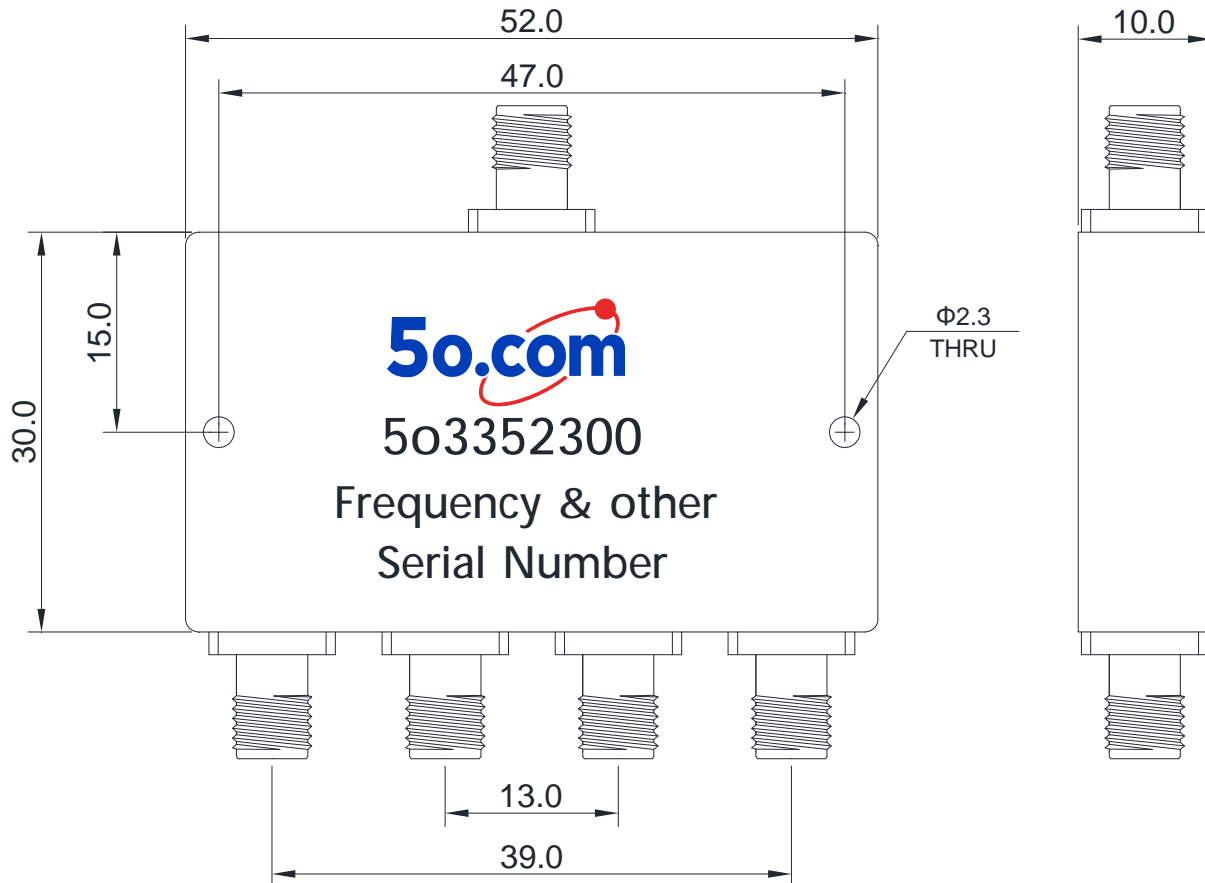
RF Characteristics

Part Number	Frequency Range (GHz)	Isolation Min(dB)	VSWR Input Max	Ripple Max(dB)	Insertion Loss Max(dB)	Phase Unbalance	Amplitude Unbalance	Connector Type
5o33523001840KK	18.0~40.0	15	1.9	1	1.8(Split 6dB)	±8°	±0.6dB	2.92 Female

Basic Specifications

Dimension	52*30*10mm	Impedance	50Ω
Splitter Power	10W	Operating Temperature	-40 ~ +80°C
Combiner Power	1W	Storage Temperature	-55~+125°C

Overall Dimension(mm)



Tolerances: ±2% unless otherwise stated.