

## 2 Way Power Divider 2.0 ~8.0GHz

### Application

- ▶ Wireless communication system.
- ▶ Radar and satellite systems.
- ▶ It supports a one-year standard warranty.
- ▶ Military, Space and Commercial applications.
- ▶ Testing and measuring equipment.

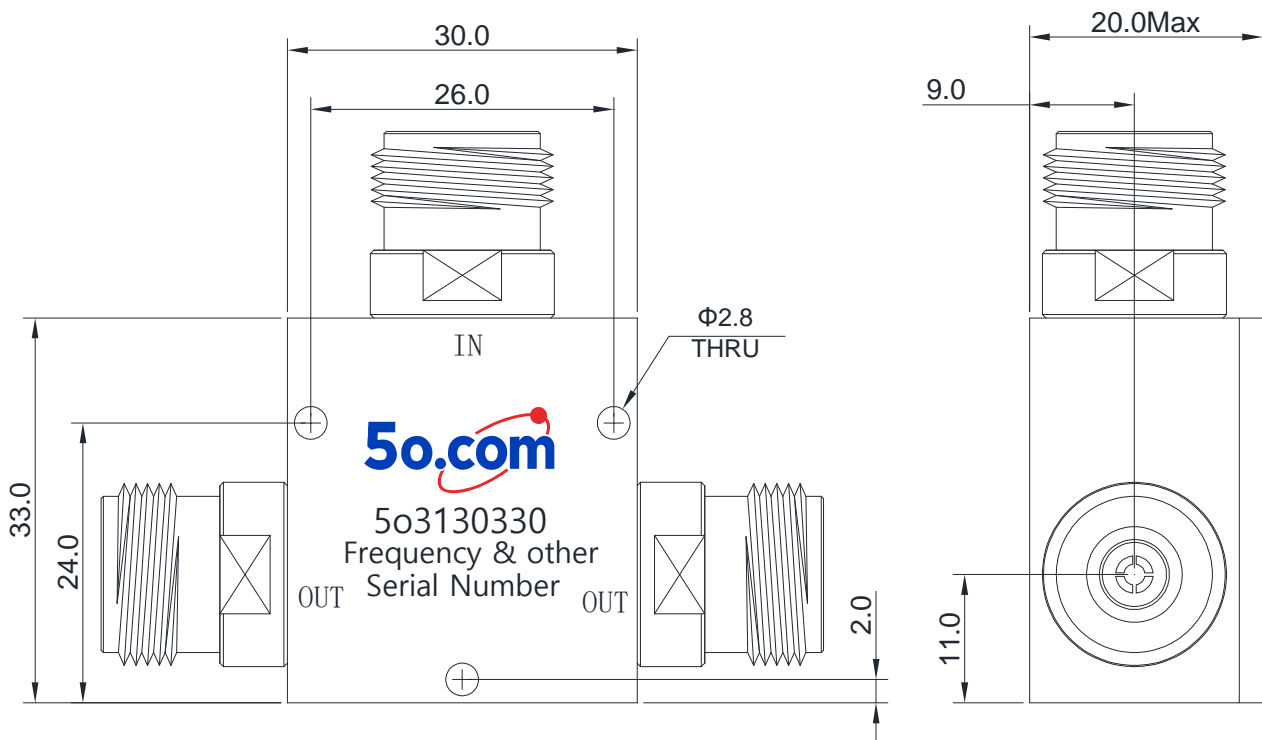
### RF Characteristics

| Part Number   | Frequency Range (GHz) | Isolation Min(dB) | VSWR Input Max | VSWR Output Max | Insertion Loss Max(dB) | Phase Unbalance | Amplitude Unbalance | Connector Type |
|---------------|-----------------------|-------------------|----------------|-----------------|------------------------|-----------------|---------------------|----------------|
| 5o313033028SK | 2.0 ~ 8.0             | 20                | 1.3            | 1.3             | 0.7(Split 3dB)         | ±4°             | ±0.3dB              | SMA Female     |
| 5o313033028NK | 2.0 ~ 8.0             | 18                | 1.5            | 1.5             | 1.2(Split 3dB)         | ±6°             | ±0.5dB              | N Female       |

### Basic Specifications

|                |            |                       |             |
|----------------|------------|-----------------------|-------------|
| Dimension      | 30*33*20mm | Impedance             | 50Ω         |
| Splitter Power | 30W        | Operating Temperature | -55 ~ +85°C |
| Combiner Power | 3W         | Storage Temperature   | -55~+125°C  |

### Overall Dimension(mm)



Tolerances: ±2% unless otherwise stated.