

## 2 Way Power Divider 5 ~ 1000MHz

### Application

- ▶ Wireless communication system.
- ▶ Radar and satellite systems.
- ▶ It supports a one-year standard warranty.
- ▶ Military, Space and Commercial applications.
- ▶ Testing and measuring equipment.

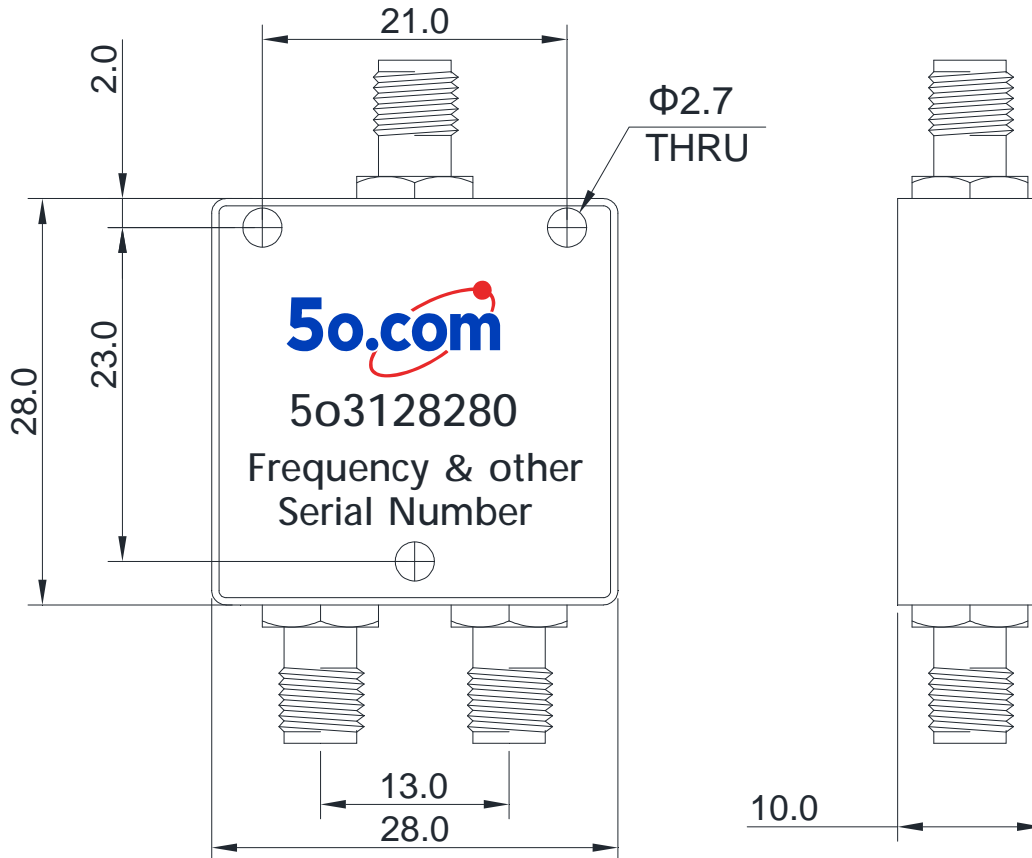
### RF Characteristics

Part Number	Frequency Range (MHz)	Isolation Min(dB)	VSWR Input Max	VSWR Output Max	Insertion Loss Max(dB)	Phase Unbalance	Amplitude Unbalance	Connector Type
5o312828051000SK	5 ~ 1000	20	1.4	1.25	0.8 (Split 3dB)	$\pm 3^\circ$	$\pm 0.3\text{dB}$	SMA Female

### Basic Specifications

Dimension	28*28*10mm	Impedance	50Ω
Splitter Power	1W	Operating Temperature	-35 ~ +75°C
Combiner Power	0.5W	Storage Temperature	-55~+125°C

### Overall Dimension(mm)



Tolerances:  $\pm 2\%$  unless otherwise stated.