

2 TX 2 RX Transmission & Receiver System 350 ~ 520MHz

Application

- ▶ Wireless communication base stations and antenna feed systems.
- ▶ Remote control and Internet of Things devices.
- ▶ Military, Space and Commercial applications.
- ▶ It supports a one-year standard warranty

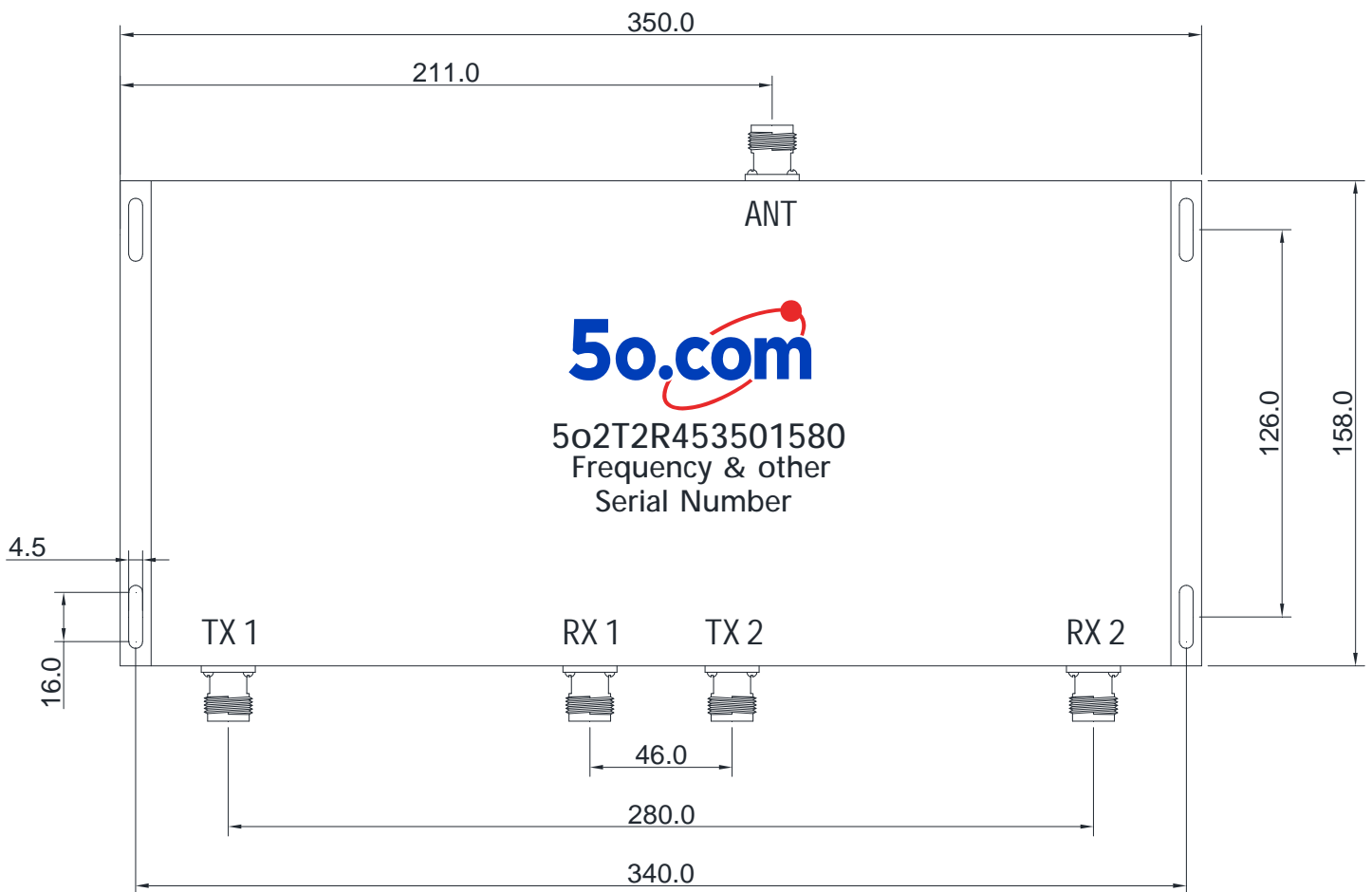
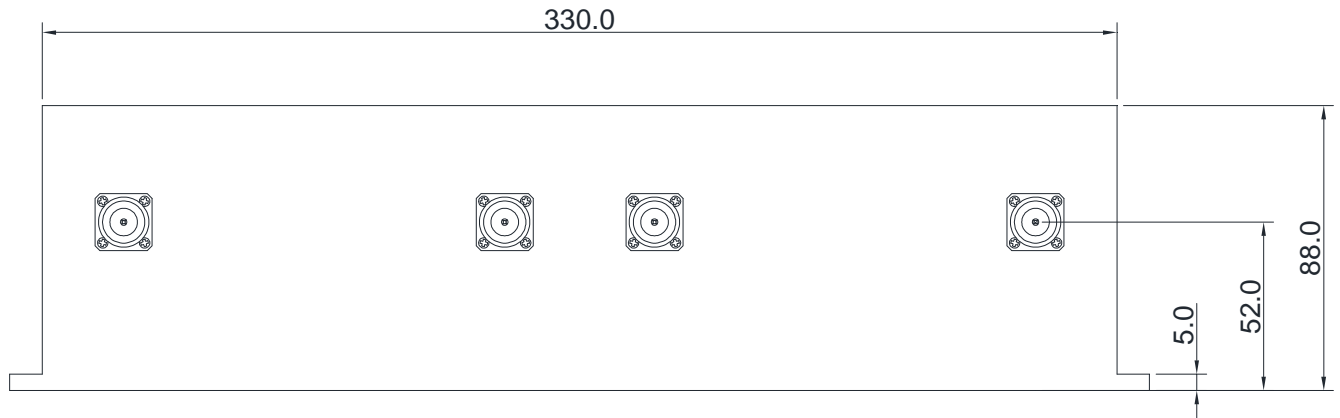
RF Characteristics

Part Number	Frequency Range (MHz)			Isolation Min(dB)	VSWR Max
		TX	RX		
5o2T2R453501580 40314185NK	CH1	403.1250	417.2375	28.0dB Min. @TX-TX & RX-RX 75.0dB Min. @TX-RX & RX-TX	1.25:1 Max.
	CH2	404.6000	418.5000	28.0dB Min. @TX-TX & RX-RX 75.0dB Min. @TX-RX & RX-TX	1.25:1 Max.
5o2T2R453501580 44314485NK	CH1	443.1250	448.1250	28.0dB Min. @TX-TX & RX-RX 75.0dB Min. @TX-RX & RX-TX	1.25:1 Max.
	CH2	443.4875	448.4875	28.0dB Min. @TX-TX & RX-RX 75.0dB Min. @TX-RX & RX-TX	1.25:1 Max.
5o2T2R453501580 45754676NK	CH1	457.5250	467.5250	28.0dB Min. @TX-TX & RX-RX 75.0dB Min. @TX-RX & RX-TX	1.25:1 Max.
	CH2	457.5750	467.5750	28.0dB Min. @TX-TX & RX-RX 75.0dB Min. @TX-RX & RX-TX	1.25:1 Max.

Basic Specifications

Insertion Loss	4.8dB Max. @TX-ANT & ANT-RX
Number of Channels	N Female @2xTX N Female @2xRX N Female @1xANT
Input Power	50W/CH
Receiver Multicoupler Amp	No
Weight	~5.5 Kg
Dimension	350*158*88mm
Appearance color	Black
Operating Temp	-30~+75°C
Storage temperature	-55~+125°C

Overall Dimension(mm)



Tolerances: $\pm 2\%$ unless otherwise stated.