

2 way Combiner / Hybrid Coupler 698 ~ 2700MHz

Application

- ▶ Multi-system shared antenna feed system..
- ▶ Base station and repeater system.
- ▶ Indoor distribution system.
- ▶ Radio intercom system.
- ▶ It supports a one-year standard warranty.

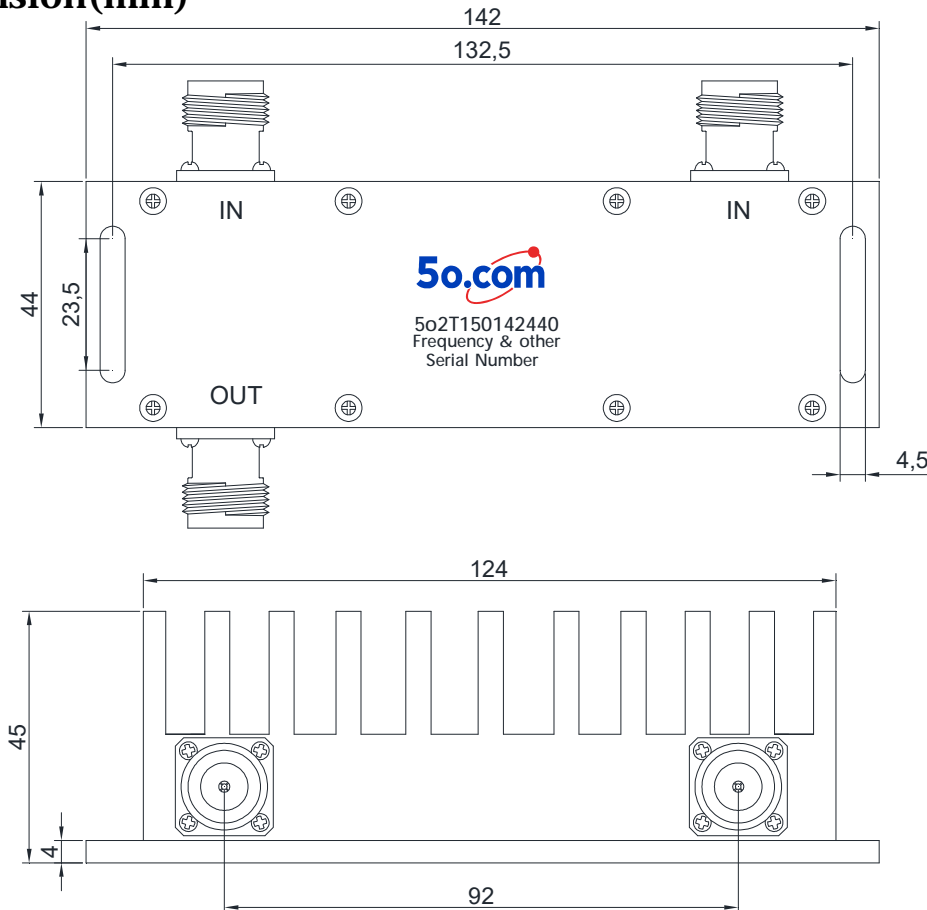
RF Characteristics

Part Number	Frequency Range (MHz)	Insertion Loss Max(dB)	Isolation Min(dB)	VSWR Max	Connector Type	Power (W)
5o2T1501424406982700NK	698~ 2700	0.65 (Coupling 3dB)	23	1.25	N Female	200(2x100)
5o2T1501424406982700SK	698~ 2700	0.65 (Coupling 3dB)	23	1.25	SMA Female	100(2x50)
5o2T1501424408002500NK	800~ 2500	0.5 (Coupling 3dB)	23	1.25	N Female	200(2x100)
5o2T1501424408002500SK	800~ 2500	0.5 (Coupling 3dB)	23	1.25	SMA Female	100(2x50)

Basic Specifications

Dimension	142*44*45mm	Operating Temperature	-40 ~ +85°C
Impedance	50Ω	Storage Temperature	-55~+125°C

Overall Dimension(mm)



Tolerances: ±2% unless otherwise stated.