

Band Stop Filter 616 ~ 638MHz

Application

- ▶ Wireless communication system.
- ▶ Audio processing, image and data acquisition.
- ▶ Biomedical signal processing.
- ▶ Radar and sensors.
- ▶ It supports a one-year standard warranty.

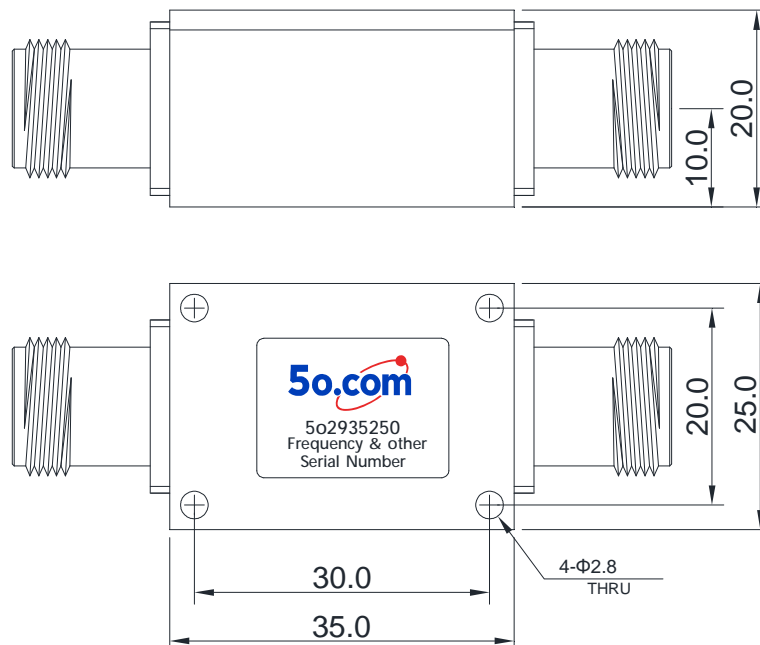
RF Characteristics

Part Number	Band Reject Frequency (MHz)	Pass Band Frequency	Band Reject Rejection Min(dB)	VSWR Max	Insertion Loss Max(dB)	Connector Type
5o2935250616638NK	616 ~ 638	50-576MHz 678-800MHz	40	1.8	2.5	N Female
5o2935250616638SK	616 ~ 638	50-576MHz 678-800MHz	40	1.8	2.5	SMA Female

Basic Specifications

Dimension	35*25*20mm	Impedance	50Ω
Power	5W	Operating Temperature	-55~+85°C
Appearance color	Black	Storage Temperature	-55~+125°C

Overall Dimension(mm)



Tolerances: ±2% unless otherwise stated.