

High Pass Filter 3.0 ~ 12.0GHz

Application

- ▶ Wireless communication system.
- ▶ Audio processing, image and data acquisition.
- ▶ Biomedical signal processing.
- ▶ Radar and sensors.
- ▶ It supports a one-year standard warranty.

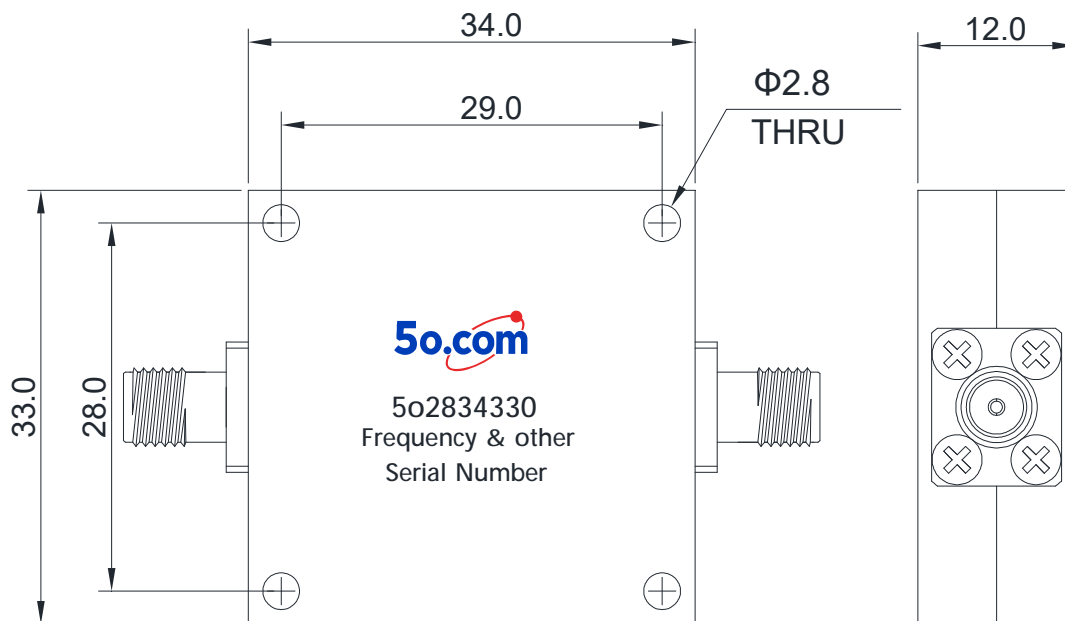
RF Characteristics

Part Number	Frequency Range (GHz)	Insertion Loss Max(dB)	VSWR Max	Rejection	Connector Type
5o2834330312SK	3.0 ~ 12.0	1.0	1.8	50dB @DC-2.5GHz	SMA Female

Basic Specifications

Dimension	34*33*12mm	Impedance	50Ω
Power	30W	Operating Temperature	-40~+85°C
Appearance color	Black	Storage Temperature	-55~+125°C

Overall Dimension(mm)



Tolerances: $\pm 2\%$ unless otherwise stated.