

# High Pass Filter 5.5 ~ 16.0GHz

## Application

- ▶ Wireless communication system.
- ▶ Audio processing, image and data acquisition.
- ▶ Biomedical signal processing.
- ▶ Radar and sensors.
- ▶ It supports a one-year standard warranty.

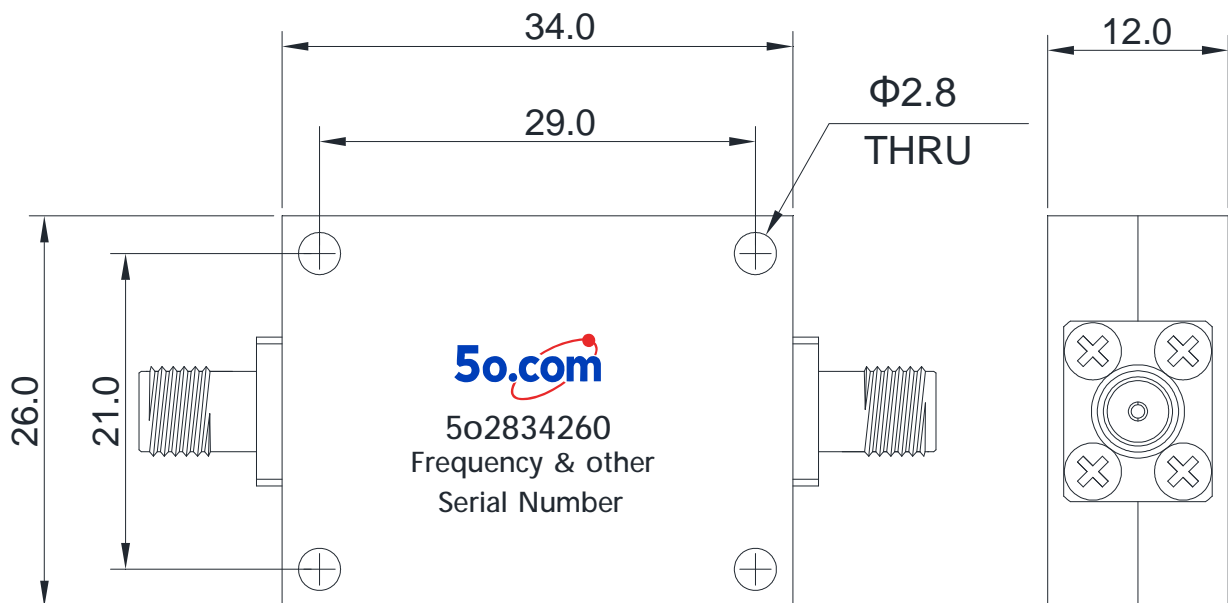
## RF Characteristics

Part Number	Frequency Range (GHz)	Insertion Loss Max(dB)	VSWR Max	Rejection	Connector Type
5o28342605516SK	5.5 ~ 16.0	1.2	2	50dB @DC-4.2GHz	SMA Female

## Basic Specifications

Dimension	34*26*12mm	Impedance	50Ω
Power	30W	Operating Temperature	-40~+85°C
Appearance color	Black	Storage Temperature	-55~+125°C

## Overall Dimension(mm)



Tolerances: ±2% unless otherwise stated.