

# High Pass Filter 3.0 ~ 18.0GHz

## Application

- ▶ Wireless communication system.
- ▶ Audio processing, image and data acquisition.
- ▶ Biomedical signal processing.
- ▶ Radar and sensors.
- ▶ It supports a one-year standard warranty.

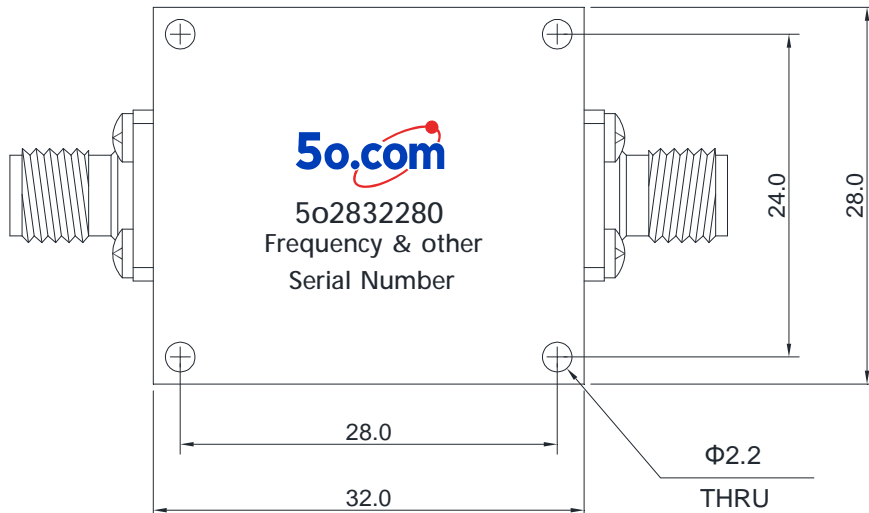
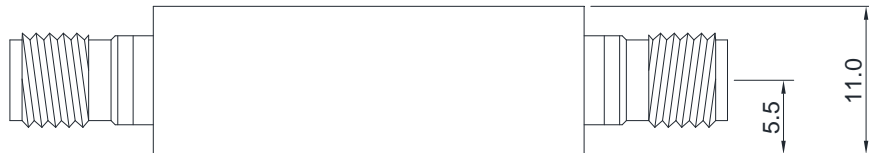
## RF Characteristics

Part Number	Frequency Range (GHz)	Insertion Loss Max(dB)	VSWR Max	Rejection	Connector Type
5o2832280318SK	3.0 ~ 18.0	1.5dB Ripple 1.2dB	1.8	50dB @DC-2.5GHz	SMA Female

## Basic Specifications

Dimension	32*28*11mm	Impedance	50Ω
Power	10W	Operating Temperature	-40~+85°C
Appearance color	Black	Storage Temperature	-55~+125°C

## Overall Dimension(mm)



Tolerances: ±2% unless otherwise stated.