

Low Pass Filter DC ~ 170MHz & 850 ~ 865MHz

Application

- ▶ Wireless communication system.
- ▶ Audio processing, image and data acquisition.
- ▶ Biomedical signal processing.
- ▶ Radar and sensors.
- ▶ It supports a one-year standard warranty.

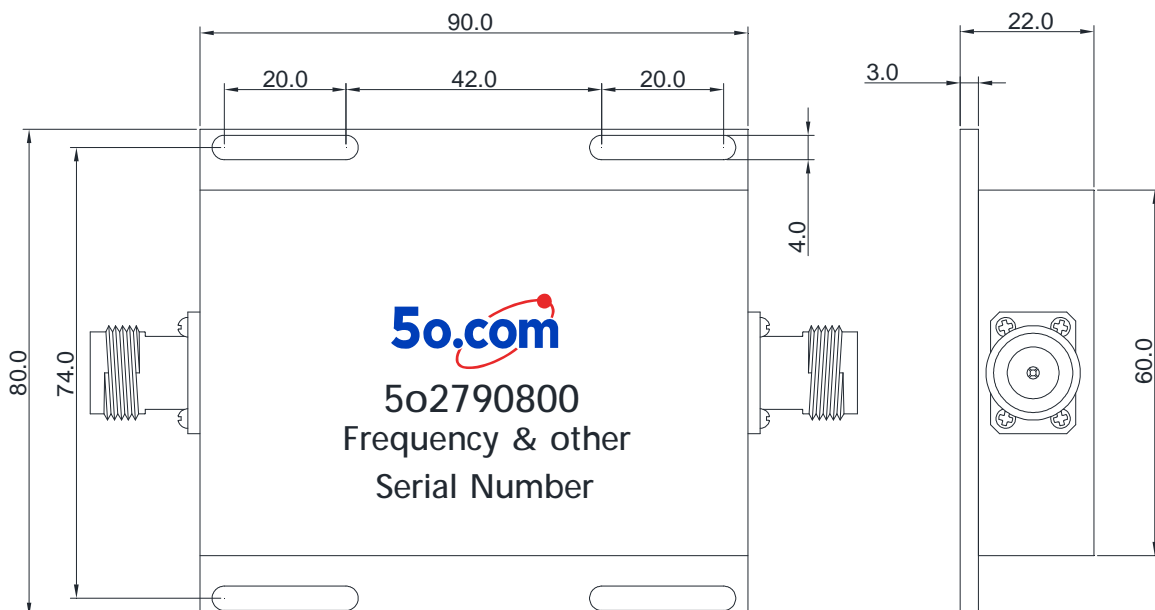
RF Characteristics

Part Number	Frequency Range (MHz)	Insertion Loss Max(dB)	VSWR Max	Rejection	Connector Type
5o2790800170NK	DC-170	0.5	1.3	45dB @500~2000MHz	N Female
5o2790800170SK	DC-170	0.5	1.3	45dB @500~2000MHz	SMA Female
5o2790800850865SK	850 ~ 865	0.5	1.3	45dB @1710~2560MHz 30dB @2560~4500MHz	SMA Female
5o2790800A850865NK	850 ~ 865	0.5	1.3	45dB @1710~2560MHz 30dB @2560~4500MHz	N Female

Basic Specifications

Dimension	90*80*22mm	Impedance	50Ω
Power	100W	Operating Temperature	-40 ~ +85°C
Appearance Color	Black	Storage Temperature	-55~+125°C

Overall Dimension(mm)



Tolerances: ±2% unless otherwise stated.