

## Low Pass Filter DC ~ 2GHz

### Application

- ▶ Wireless communication system.
- ▶ Audio processing, image and data acquisition.
- ▶ Biomedical signal processing.
- ▶ Radar and sensors.
- ▶ It supports a one-year standard warranty.

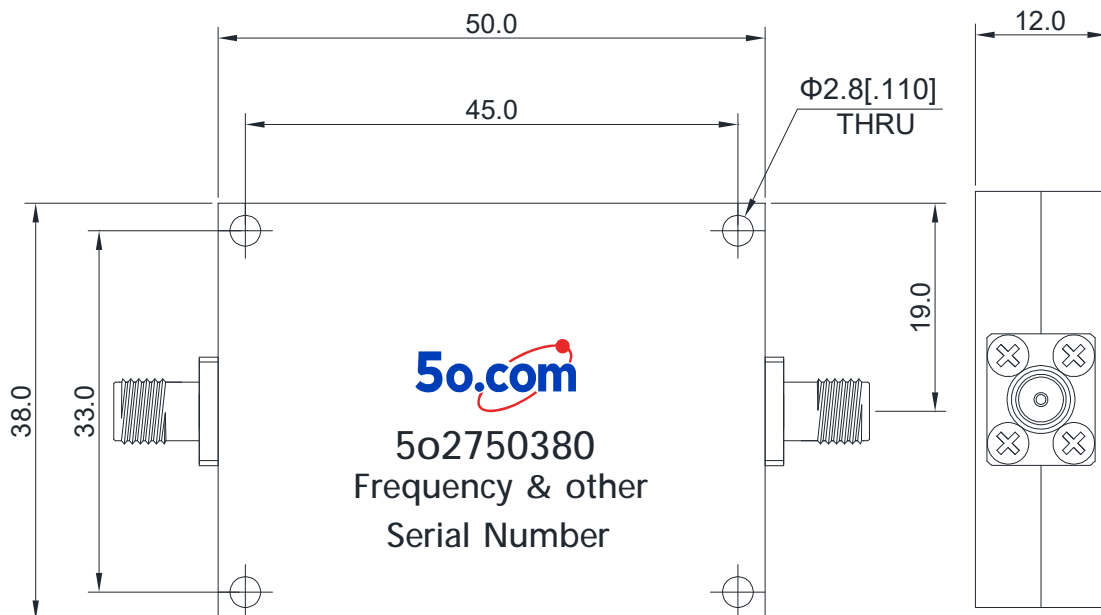
### RF Characteristics

Part Number	Frequency Range (GHz)	Insertion Loss Max(dB)	VSWR Max	Rejection	Connector Type
5o27503802SK	DC-2.0	0.7dB@DC-1.9GHz 1.2dB@1.9-2.0GHz	1.8	50dB @2.3~2.4GHz	SMA Female

### Basic Specifications

Dimension	50*38*12mm	Impedance	50Ω
Power	30W	Operating Temperature	-40 ~ +85°C
Appearance Color	Black	Storage Temperature	-55~+125°C

### Overall Dimension(mm)



Tolerances:  $\pm 2\%$  unless otherwise stated.