

Low Pass Filter DC ~ 2300MHz

Application

- ▶ Wireless communication system.
- ▶ Audio processing, image and data acquisition.
- ▶ Biomedical signal processing.
- ▶ Radar and sensors.
- ▶ It supports a one-year standard warranty.

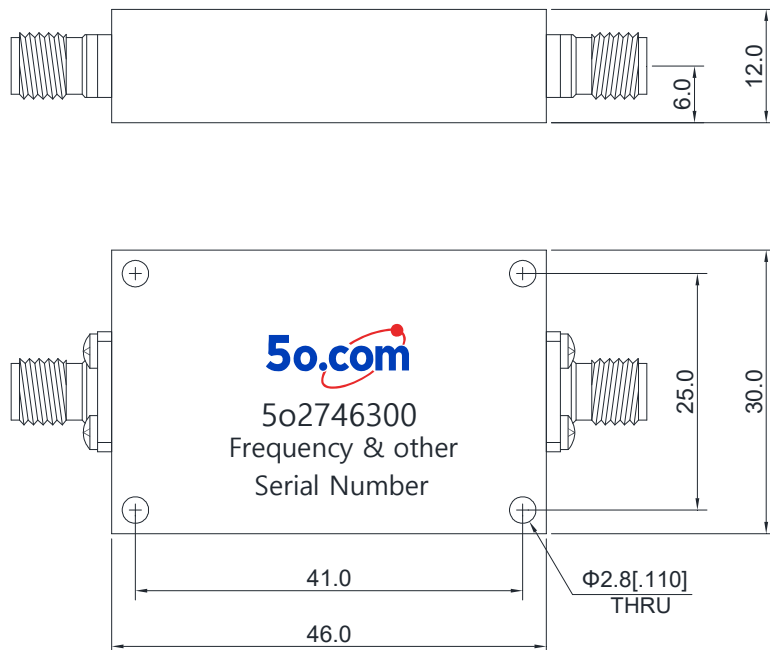
RF Characteristics

Part Number	Frequency Range (MHz)	Insertion Loss Max(dB)	VSWR Max	Rejection	Connector Type
5o27463002300SK	DC-2300	1.0	1.8	40dB @2700 ~ 6000MHz	SMA Female

Basic Specifications

Dimension	46*30*12mm	Impedance	50Ω
Power	10W	Operating Temperature	-40 ~ +85°C
Appearance Color	Black	Storage Temperature	-55~+125°C

Overall Dimension (mm)



Tolerances: $\pm 2\%$ unless otherwise stated.