

## Low Pass Filter DC ~ 894MHz

### Application

- ▶ Wireless communication system.
- ▶ Audio processing, image and data acquisition.
- ▶ Biomedical signal processing.
- ▶ Radar and sensors.
- ▶ It supports a one-year standard warranty.

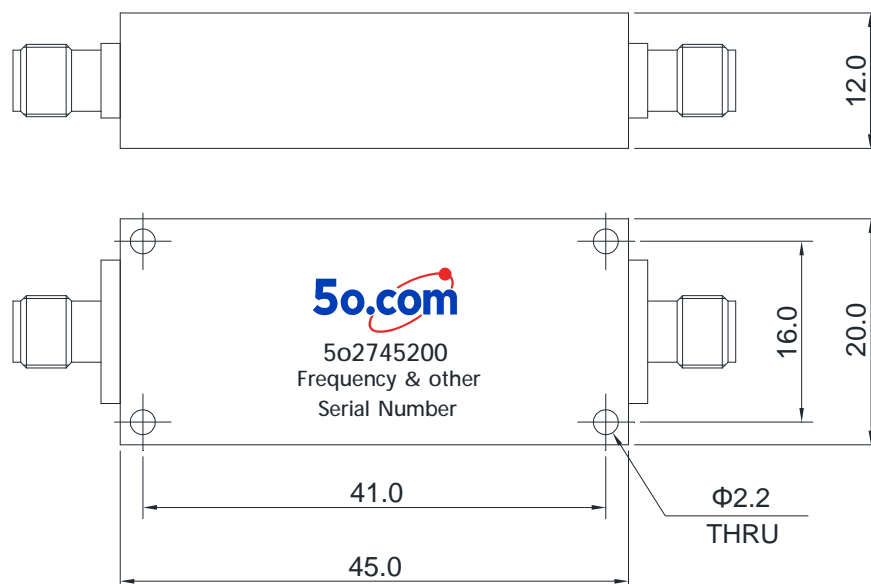
### RF Characteristics

Part Number	Frequency Range (MHz)	Insertion Loss Max(dB)	VSWR Max	Rejection	Connector Type
5o2745200894SK	DC-894	1.5	1.5	50dB @1760 ~ 2668MHz	SMA Female

### Basic Specifications

Dimension	45*20*12mm	Impedance	50Ω
Power	5W	Operating Temperature	-40 ~ +85°C
Appearance Color	Black	Storage Temperature	-55~+125°C

### Overall Dimension(mm)



Tolerances:  $\pm 2\%$  unless otherwise stated.