

## Low Pass Filter DC ~ 13GHz

### Application

- ▶ Wireless communication system.
- ▶ Audio processing, image and data acquisition.
- ▶ Biomedical signal processing.
- ▶ Radar and sensors.
- ▶ It supports a one-year standard warranty.

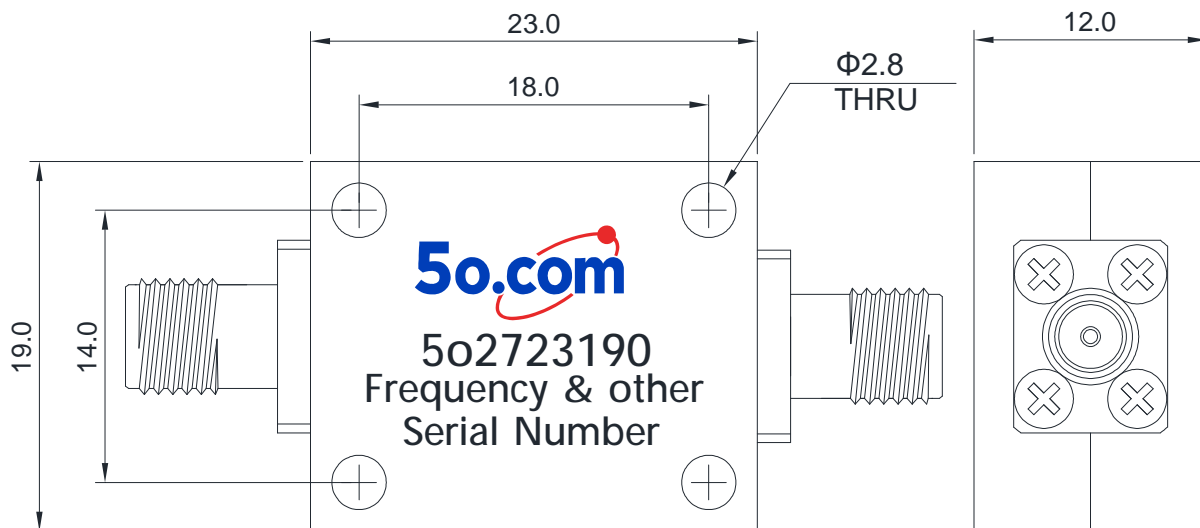
### RF Characteristics

Part Number	Frequency Range (GHz)	Insertion Loss Max(dB)	VSWR Max	Rejection	Connector Type
5o272319013SK	DC-13GHz	1.0	2.0	50dB @15.0~17.0GHz	SMA Female

### Basic Specifications

Dimension	23*19*12mm	Impedance	50Ω
Power	30W	Operating Temperature	-40 ~ +85°C
Appearance Color	Black	Storage Temperature	-55~+125°C

### Overall Dimension(mm)



Tolerances:  $\pm 2\%$  unless otherwise stated.