

# Band Pass Filter 1350 ~ 1550MHz

## Application

- ▶ Wireless communication system.
- ▶ Audio processing, image and data acquisition.
- ▶ Biomedical signal processing.
- ▶ Radar and sensors.
- ▶ It supports a one-year standard warranty.

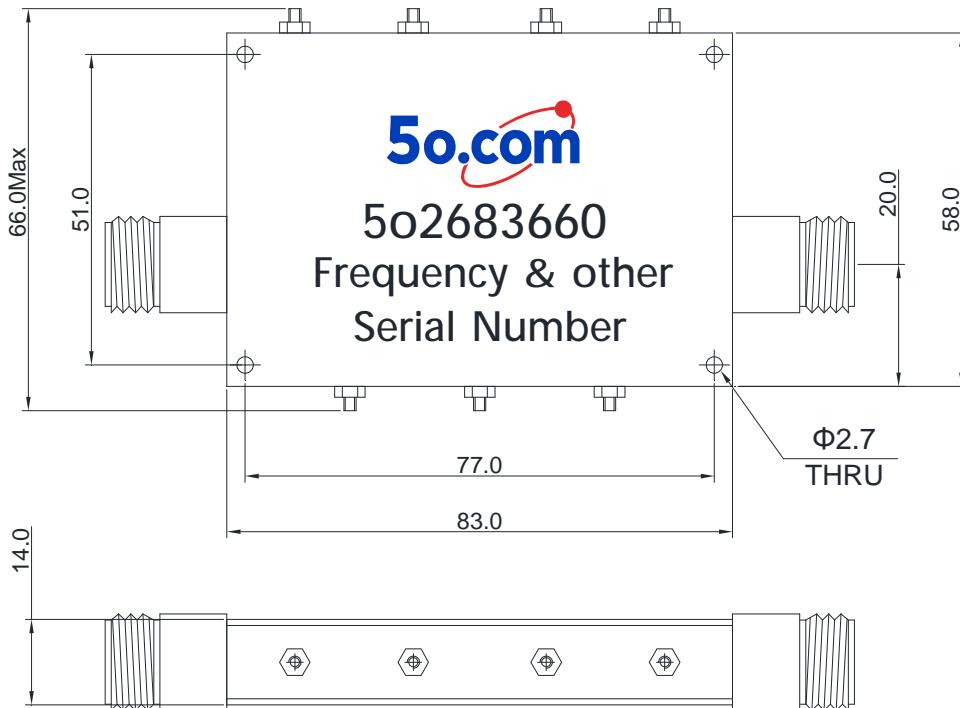
## RF Characteristics

Part Number	Pass Band (MHz)	Insertion Loss Max(dB)	VSWR Max	Rejection	Connector Type
5o268366013501550NK	1350 ~ 1550	1.5	1.45	40dB @800MHz 40dB @1800MHz	N Female
5o268366013501550SK	1350 ~ 1550	1.5	1.45	40dB @800MHz 40dB @1800MHz	SMA Female

## Basic Specifications

Dimension	83*66*14mm	Impedance	50Ω
Power	10W	Operating Temperature	-40 ~ +85°C
Appearance Color	Black	Storage Temperature	-55~+125°C

## Overall Dimension(mm)



Tolerances: ±2% unless otherwise stated.