

Band Pass Filter 130 ~ 700MHz

Application

- ▶ Wireless communication system.
- ▶ Radar and sensors.
- ▶ Audio processing, image and data acquisition.
- ▶ It supports a one-year standard warranty.
- ▶ Biomedical signal processing.

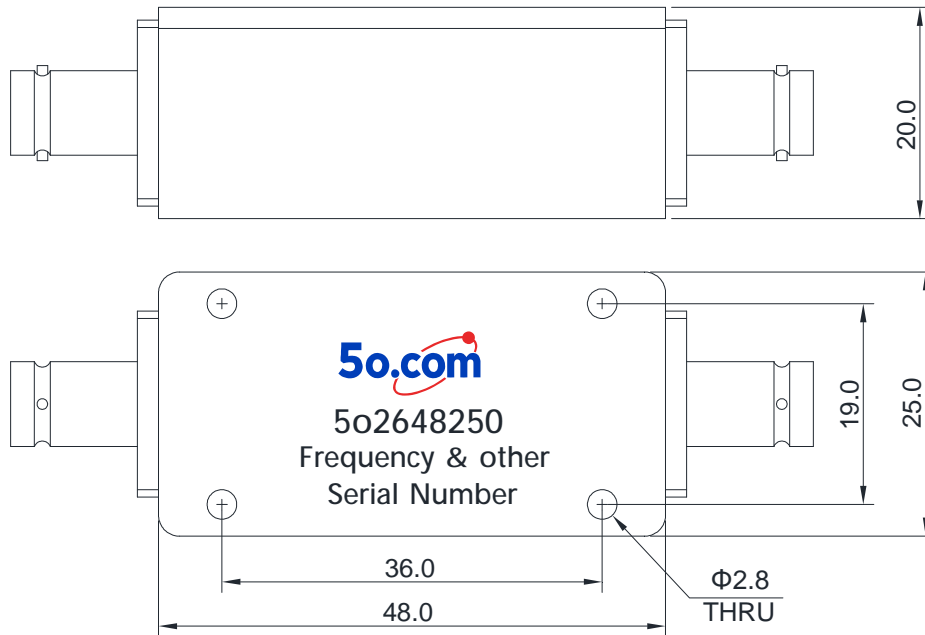
RF Characteristics

Part Number	Pass Band (MHz)	Insertion Loss Max(dB)	Ripple in-band Max(dB)	VSWR Max	Rejection	Connector Type
5o2648250153162NK	153 ~ 162	6.0	1.5	1.5	40dB @DC~146.5MHz 40dB @168.5~1000MHz	N Female
5o2648250470488NK	470 ~ 488	7.5	1.5	1.5	40dB @DC~454MHz 40dB @504~1000MHz	N Female
5o2648250470530BK	470 ~ 530	3.5	1.5	1.5	20dB @430-445MHz & 555-570MHz 40dB @DC-430MHz & 570-1000MHz	BNC Female
5o2648250470560BK	470 ~ 560	3.5	1.5	1.5	20dB @435-445MHz & 585-595MHz 40dB @DC-435MHz & 595-1000MHz	BNC Female
5o2648250500550BK	500 ~ 550	3.5	1.5	1.5	40dB @DC-475MHz 40dB @575-1000MHz	BNC Female
5o2648250500550SK	500 ~ 550	3.5	1.5	1.5	40dB @DC-475MHz 40dB @575-1000MHz	SMA Female
5o2648250500550NK	500 ~ 550	3.5	1.5	1.5	40dB @DC-475MHz 40dB @575-1000MHz	N Female
5o2648250520694BK	520 ~ 694	1.5	1.5	1.5	30dB @307-367MHz & 847-907MHz 50dB @DC-307MHz & 907-1500MHz	BNC Female
5o2648250530590BK	530 ~ 590	3.5	1.5	1.5	20dB @490-505MHz & 615-630MHz 40dB @DC-490MHz & 630-1000MHz	BNC Female
5o2648250550600BK	550 ~ 600	3.5	1.5	1.5	40dB @DC-525MHz 40dB @625-1000MHz	BNC Female
5o2648250550600SK	550 ~ 600	3.5	1.5	1.5	40dB @DC-525MHz 40dB @625-1000MHz	SMA Female
5o2648250560608BK	560 ~ 608	4.0	1.5	1.5	40dB @DC-535MHz 40dB @633-1000MHz	BNC Female
5o2648250560608SK	560 ~ 608	4.0	1.5	1.5	40dB @DC-535MHz 40dB @633-1000MHz	SMA Female
5o2648250600650BK	600 ~ 650	3.5	1.5	1.5	30dB @DC-570MHz 30dB @685-1000MHz	BNC Female
5o2648250650700BK	650 ~ 700	4.0	1.5	1.5	40dB @DC-620MHz 40dB @730-1000MHz	BNC Female

Basic Specifications

Dimension	48*25*20mm	Impedance	50Ω
Power	2W	Operating Temperature	-30 ~ +70°C
Appearance Color	Black	Storage Temperature	-55~+125°C

Overall Dimension(mm)



Tolerances: ±2% unless otherwise stated.