

# Band Pass Filter 240 ~ 380MHz

## Application

- ▶ Wireless communication system.
- ▶ Audio processing, image and data acquisition.
- ▶ Biomedical signal processing.
- ▶ Radar and sensors.
- ▶ It supports a one-year standard warranty.

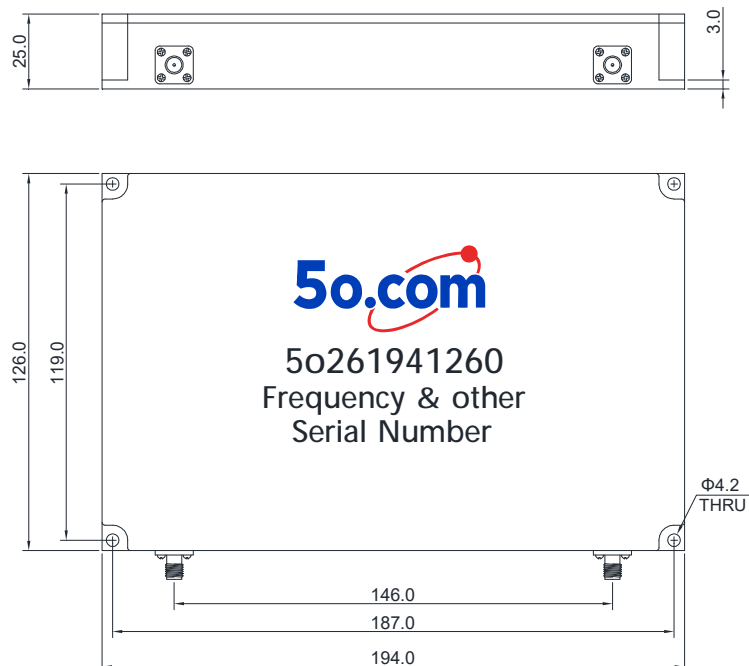
## RF Characteristics

Part Number	Pass Band (MHz)	Insertion Loss Max(dB)	Ripple in-band Max(dB)	VSWR Max	Rejection	Connector Type
5o261941260240380SK	240 ~ 380	2.0	1.5	1.38	80dB@170~200MHz 80dB@420~500MHz 50dB@200~220MHz 50dB@400~420MHz 45dB @DC~170MHz	SMA Female
5o261941260240380NK	240 ~ 380	2.0	1.5	1.38	80dB@170~200MHz 80dB@420~500MHz 50dB@200~220MHz 50dB@400~420MHz 45dB @DC~170MHz	N Female

## Basic Specifications

Dimension	194*126*25mm	Impedance	50Ω
Power	100W	Operating Temperature	-40 ~ +70°C
Appearance Color	Black	Storage Temperature	-55~+125°C

## Overall Dimension(mm)



Tolerances: ±2% unless otherwise stated.