

Dual Junction Microstrip CirculatorMagnetic Shield

8.0 ~ 12.0GHz

Application

- ▶ RF power amplifier protection.
- ▶ Digital, Satellite, Mobile Communication.
- ▶ Medical, Communication, Security.
- ▶ Military, Space and Commercial applications.

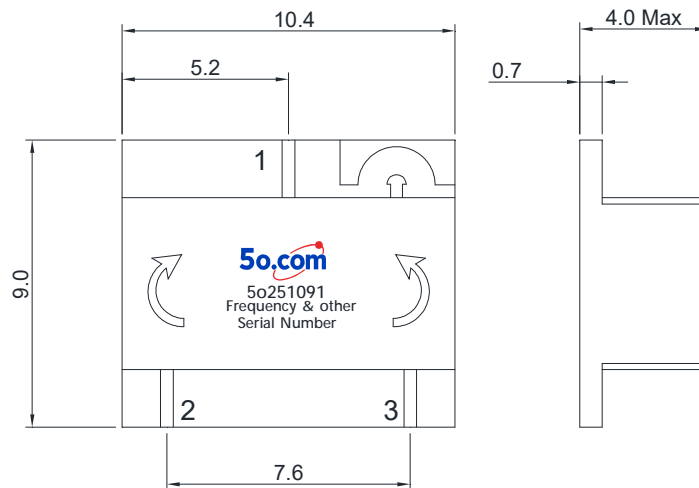
RF Characteristics

Part Number	Frequency Range (GHz)	Isolation Min(dB)				VSWR Max	Insertion Loss Max(dB)		Connector Type
		1-2	2-3	3-1	3-2		2-1	1-3	
5o251091812	8.0 ~ 12.0	14	16	28	16	1.35	0.65	1.1	Microstrip
5o2510918393	8.3 ~ 9.3	20	20	30	20	1.25	0.45	0.85	Microstrip
5o251091996	9.0 ~ 9.6	20	20	30	20	1.25	0.45	0.85	Microstrip
5o251091910	9.0 ~ 10.0	20	20	30	20	1.25	0.5	0.9	Microstrip
5o2510911011	10.0 ~ 11.0	20	20	30	20	1.25	0.5	0.9	Microstrip

Basic Specifications

Dimension	10.4*9*4mm	Impedance	50Ω
Forward Power	10W	Operating Temperature	-55 ~ +85°C
Reverse Power	5W	Storage Temperature	-55~+125°C

Overall Dimension(mm)



Instructions

Tolerances: ±2% unless otherwise stated.

- ◆ The microstrip isolator/circulator is installed via gold wire bonding.
- ◆ Avoid strong magnetic fields near the product during installation/use, as they may alter the bias magnetic field and affect performance.
- ◆ Only some common frequencies in the table can be produced according to the user's requirements.
- ◆ It supports a one-year standard warranty.