

25W Coaxial Termination DC-3GHz

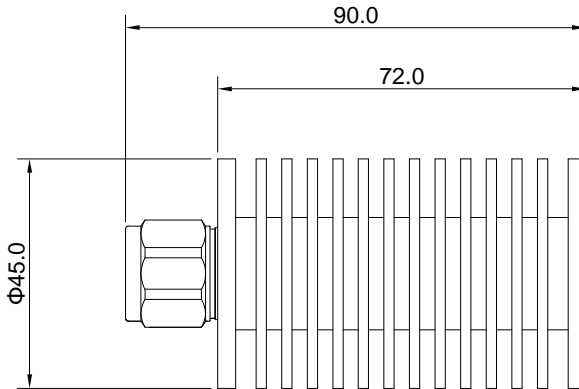
Application

- ▶ Wireless communication system.
- ▶ Testing and measuring equipment.
- ▶ Radar and satellite systems.
- ▶ Military, Space and Commercial applications.

RF Characteristics

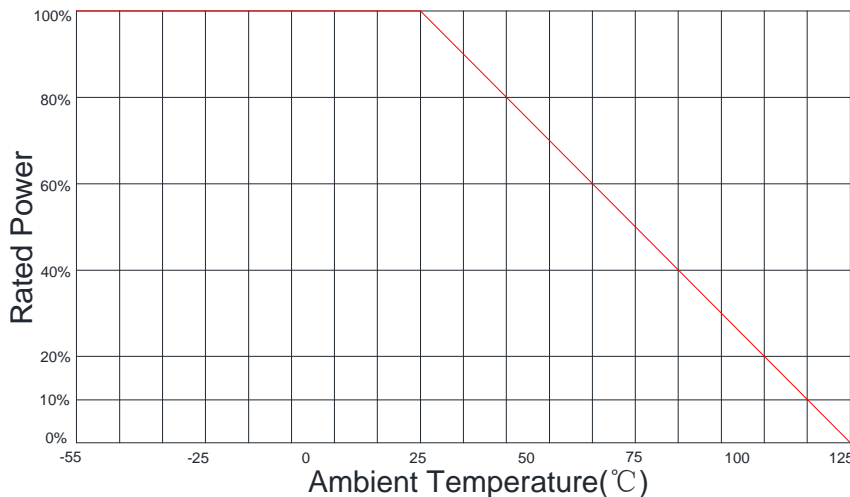
Part Number	Frequency range	Power	VSWR Max	Connector Type	Impedance
5o212503NJ	DC-3GHz	25W	1.15	N Male	50 Ω
5o212503NK	DC-3GHz	25W	1.15	N Female	50 Ω

Overall Dimension (mm)



Tolerances: ±2% unless otherwise stated.

Power Derating Diagram



Notes

- ◆ If necessary, the product shall be air-cooled for auxiliary heat dissipation.
- ◆ Custom design is available upon request.
- ◆ It supports a one-year standard warranty.