

# 10W Coaxial Termination DC-3GHz

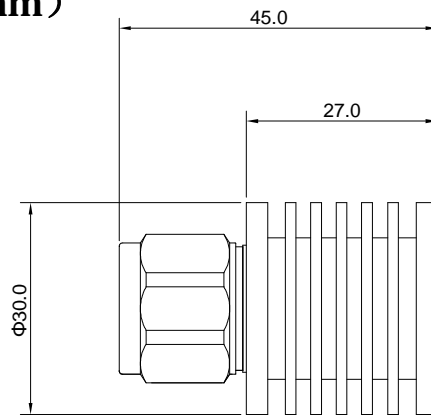
## Application

- ▶ Wireless communication system.
- ▶ Radar and satellite systems.
- ▶ Testing and measuring equipment.
- ▶ Military, Space and Commercial applications.

## RF Characteristics

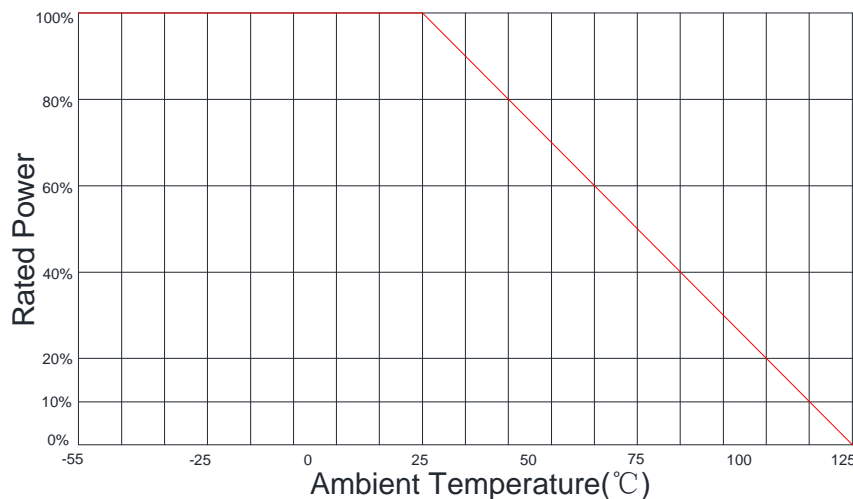
Part Number	Frequency range	Power	VSWR Max	Connector Type	Impedance
5o211003NJ	DC-3GHz	10W	1.15	N Male	50 $\Omega$
5o211003NK	DC-3GHz	10W	1.15	N Female	50 $\Omega$

## Overall Dimension (mm)



Tolerances:  $\pm 2\%$  unless otherwise stated.

## Power Derating Diagram



## Notes

- ◆ If necessary, the product shall be air-cooled for auxiliary heat dissipation.
- ◆ Custom design is available upon request.
- ◆ It supports a one-year standard warranty.