

## 50W Coaxial Attenuator DC-6GHz

### Application

- ▶ Wireless communication system.
- ▶ Radar and satellite systems.
- ▶ Testing and measuring equipment.
- ▶ Military, Space and Commercial applications.

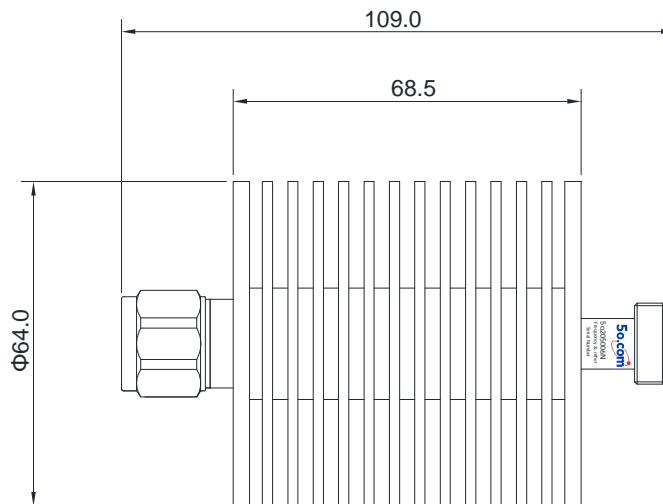
### RF Characteristics

Part Number	Frequency range	Power	Attenuation Value	Attenuation Tolerance	VSWR Max
5o205006N1	DC-6GHz	50W	1 dB	±0.8 dB	1.3
5o205006N2			2 dB	±0.8 dB	1.3
5o205006N3			3 dB	±0.8 dB	1.3
5o205006N5			5 dB	±0.8 dB	1.3
5o205006N6			6 dB	±0.8 dB	1.3
5o205006N10			10 dB	±0.8 dB	1.3
5o205006N20			20 dB	±1.0 dB	1.3
5o205006N30			30 dB	±1.0 dB	1.3
5o205006N40			40 dB	±1.0 dB	1.3

### Basic Specifications

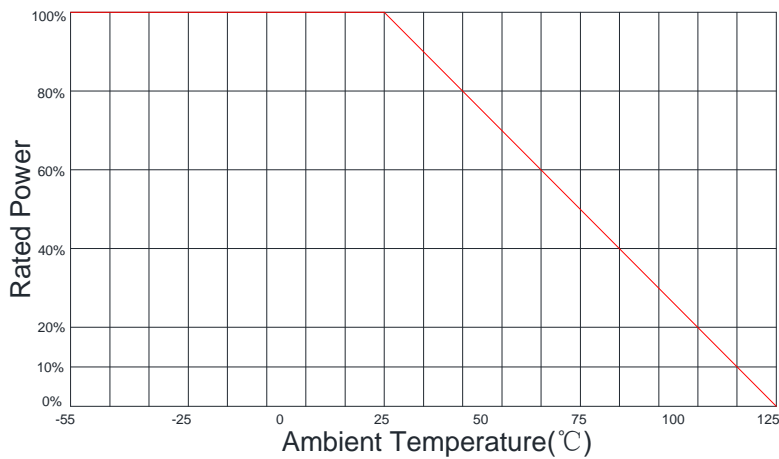
Impedance	50Ω	Connector Type	N Male to Female
Power	50W	Storage Temperature	-55~+125°C

### Overall Dimension(mm)



Tolerances: ±2% unless otherwise stated.

## Power Derating Diagram



### Notes

- ◆ Coaxial attenuator impedance matched to 50Ω.
- ◆ If necessary, the product shall be air-cooled for auxiliary heat dissipation.
- ◆ For products with a power of over 50W, pay attention to the direction during use and strictly avoid reverse connection.
- ◆ Custom design is available upon request.
- ◆ It supports a one-year standard warranty.