

300W Coaxial Attenuator DC-8GHz

Application

▶ Wireless communication system.

▶ Testing and measuring equipment.

▶ Radar and satellite systems.

▶ Military, Space and Commercial applications.

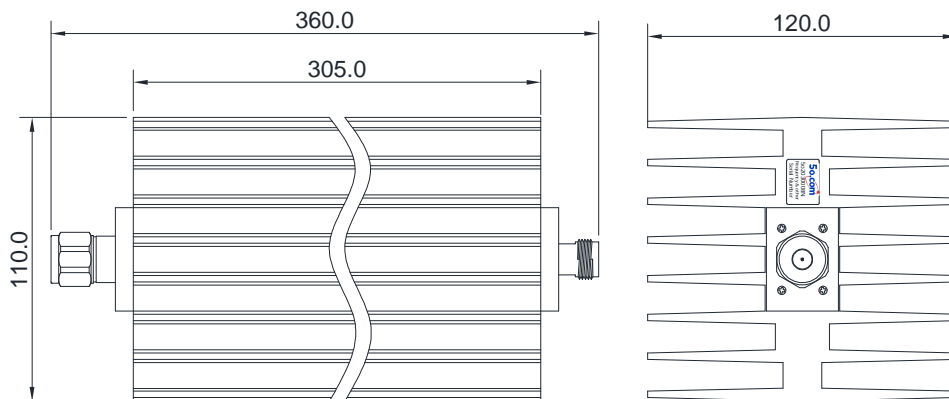
RF Characteristics

Part Number	Frequency range	Power	Attenuation Value	Attenuation Tolerance	VSWR Max
5o2030008N10	DC-8GHz	300W	10 dB	±1.5 dB	1.25
5o2030008N20			20 dB	±1.5 dB	1.25
5o2030008N30			30 dB	±0.9 dB	1.25
5o2030008N40			40 dB	±0.9 dB	1.25
5o2030008N50			50 dB	±0.9 dB	1.25

Basic Specifications

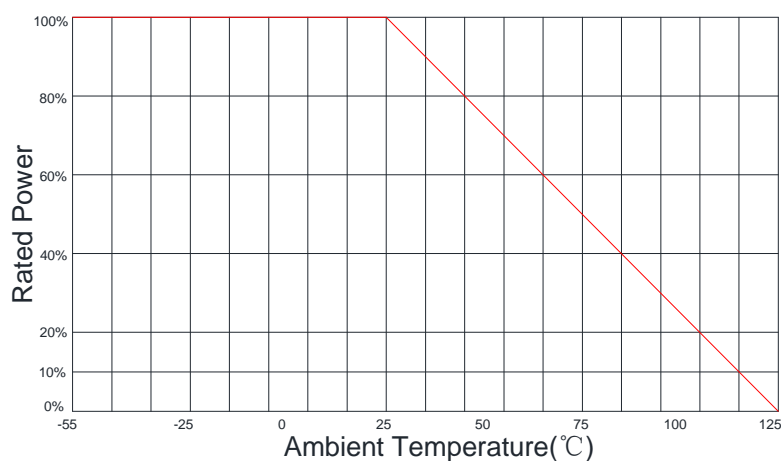
Impedance	50Ω	Connector Type	N Male to Female
Power	300W	Storage Temperature	-55~+125°C

Overall Dimension(mm)



Tolerances: ±2% unless otherwise stated

Power Derating Diagram



Notes

- ▶ Coaxial attenuator impedance matched to 50Ω.
- ▶ If necessary, the product shall be air-cooled for auxiliary heat dissipation.
- ▶ For products with a power of over 50W, pay attention to the direction during use and strictly avoid reverse connection.
- ▶ Custom design is available upon request.
- ▶ It supports a one-year standard warranty.