

200W Coaxial Attenuator DC-18GHz

Application

- ▶ Wireless communication system.
- ▶ Testing and measuring equipment.
- ▶ Radar and satellite systems.
- ▶ Military, Space and Commercial applications.

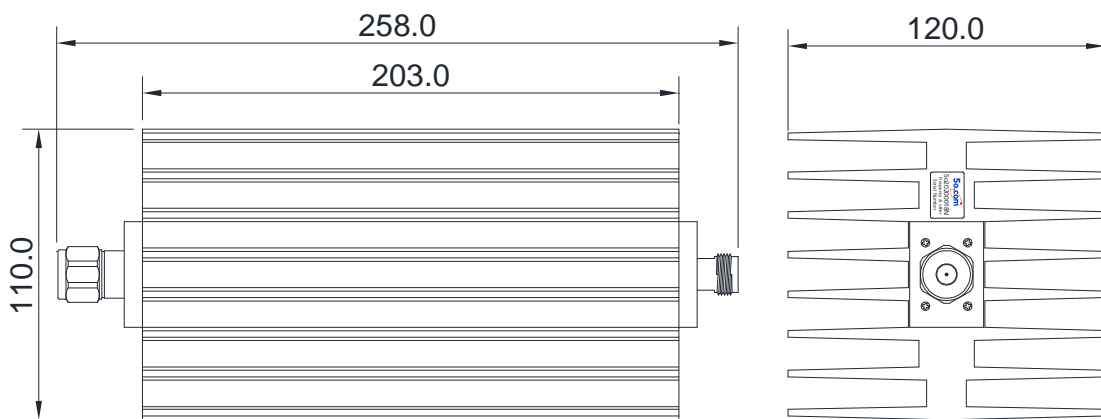
RF Characteristics

Part Number	Frequency range	Power	Attenuation Value	Attenuation Tolerance	VSWR Max
5o20200018N10	DC-18GHz	200W	10 dB	±2.5 dB	1.45
5o20200018N20			20 dB	±2.0 dB	1.45
5o20200018N30			30 dB	±1.5 dB	1.45
5o20200018N40			40 dB	±1.3 dB	1.45
5o20200018N50			50 dB	±1.4 dB	1.45
5o20200018N60			60 dB	±1.4 dB	1.45

Basic Specifications

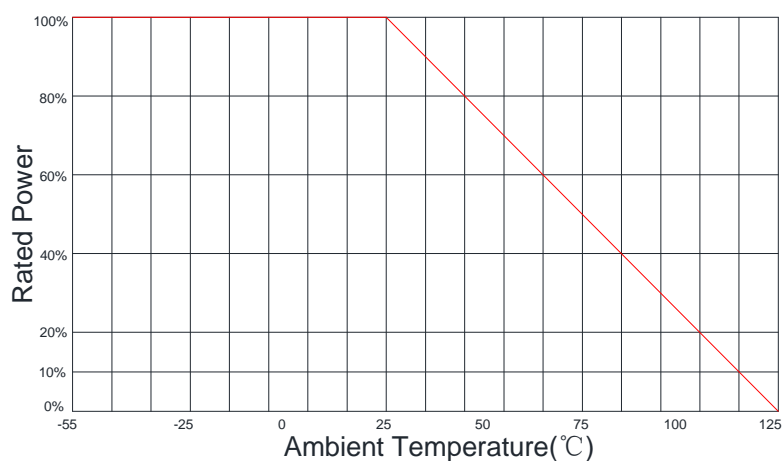
Impedance	50Ω	Connector Type	N Male to Female
Power	200W	Storage Temperature	-55~+125°C

Overall Dimension(mm)



Tolerances: ±2% unless otherwise stated

Power Derating Diagram



Notes

- ◆ Coaxial attenuator impedance matched to 50Ω.
- ◆ If necessary, the product shall be air-cooled for auxiliary heat dissipation.
- ◆ For products with a power of over 50W, pay attention to the direction during use and strictly avoid reverse connection.
- ◆ Custom design is available upon request.
- ◆ It supports a one-year standard warranty.