

## 1500W Coaxial Attenuator DC-3GHz

### Application

► Wireless communication system.

► Radar and satellite systems.

► Testing and measuring equipment.

► Military, Space and Commercial applications.

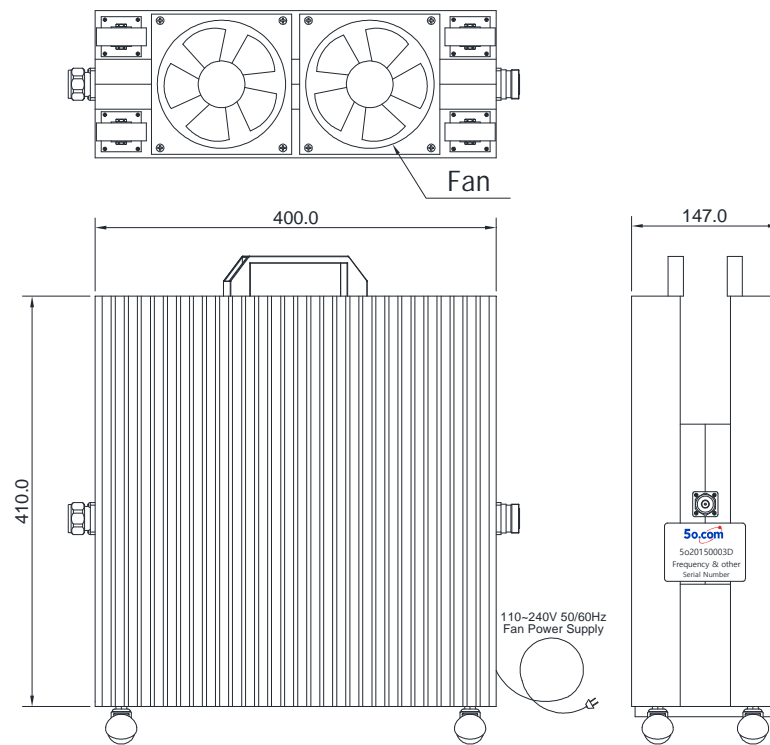
### RF Characteristics

| Part Number      | Frequency range | Power | Attenuation Value | Attenuation Tolerance | VSWR Max | Connector Type           |
|------------------|-----------------|-------|-------------------|-----------------------|----------|--------------------------|
| 5o20150003D10    | DC-3GHz         | 1500W | 10 dB             | ±2.0 dB               | 1.35     | 7/16 Male to 7/16 Female |
| 5o20150003D20    |                 |       | 20 dB             | ±2.0 dB               | 1.35     | 7/16 Male to 7/16 Female |
| 5o20150003D30    |                 |       | 30 dB             | ±2.0 dB               | 1.35     | 7/16 Male to 7/16 Female |
| 5o20150003D40    |                 |       | 40 dB             | ±2.5 dB               | 1.35     | 7/16 Male to 7/16 Female |
| 5o20150003D60    |                 |       | 60 dB             | ±2.5 dB               | 1.35     | 7/16 Male to 7/16 Female |
| 5o20150003DJNK10 |                 |       | 10 dB             | ±2.0 dB               | 1.35     | 7/16 Male to N Female    |
| 5o20150003DJNK20 |                 |       | 20 dB             | ±2.0 dB               | 1.35     | 7/16 Male to N Female    |
| 5o20150003DJNK30 |                 |       | 30 dB             | ±2.0 dB               | 1.35     | 7/16 Male to N Female    |
| 5o20150003DJNK40 |                 |       | 40 dB             | ±2.5 dB               | 1.35     | 7/16 Male to N Female    |
| 5o20150003DJNK60 |                 |       | 60 dB             | ±2.5 dB               | 1.35     | 7/16 Male to N Female    |
| 5o20150003DKNK40 |                 |       | 40 dB             | ±2.5 dB               | 1.35     | 7/16 Female to N Female  |
| 5o20150003DKNJ30 |                 |       | 30 dB             | ±2.0 dB               | 1.35     | 7/16 Female to N Male    |

### Basic Specifications

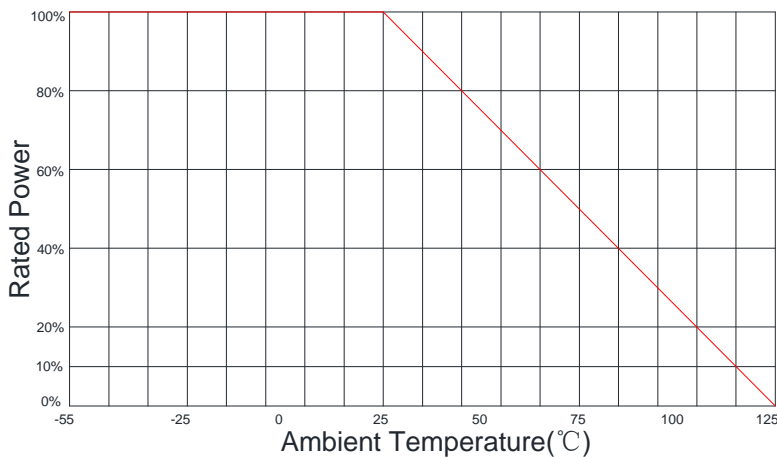
|           |     |                     |            |
|-----------|-----|---------------------|------------|
| Impedance | 50Ω | Storage Temperature | -55~+125°C |
|-----------|-----|---------------------|------------|

## Overall Dimension(mm)



Tolerances:  $\pm 2\%$  unless otherwise stated.

## Power Derating Diagram



## Notes

- ◆ Coaxial attenuator impedance matched to 50Ω.
- ◆ If necessary, the product shall be air-cooled for auxiliary heat dissipation.
- ◆ For products with a power of over 50W, pay attention to the direction during use and strictly avoid reverse connection.
- ◆ Custom design is available upon request.
- ◆ It supports a one-year standard warranty.