

10W Coaxial Attenuator DC-6GHz

Application

▶ Wireless communication system.

▶ Testing and measuring equipment.

▶ Radar and satellite systems.

▶ Military, Space and Commercial applications.

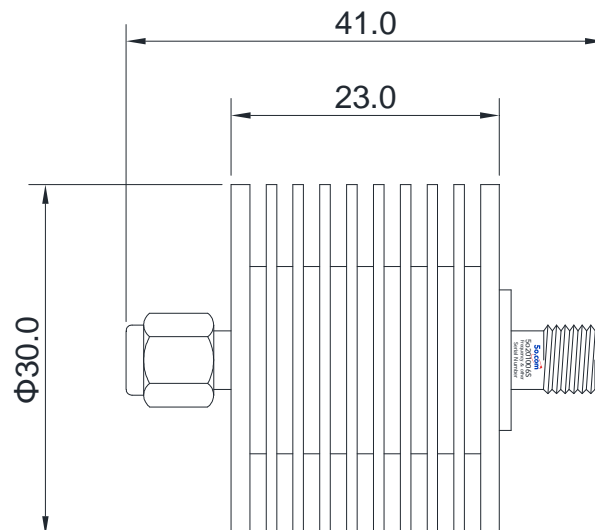
RF Characteristics

Part Number	Frequency range	Power	Attenuation Value	Attenuation Tolerance	VSWR Max
5o201006S1	DC-6GHz	10W	1 dB	±0.6 dB	1.3
5o201006S2			2 dB	±0.6 dB	1.3
5o201006S3			3 dB	±0.6 dB	1.3
5o201006S5			5 dB	±0.8 dB	1.3
5o201006S6			6 dB	±0.8 dB	1.3
5o201006S10			10 dB	±1.0 dB	1.3
5o201006S20			20 dB	±1.5 dB	1.3
5o201006S30			30 dB	±1.5 dB	1.3

Basic Specifications

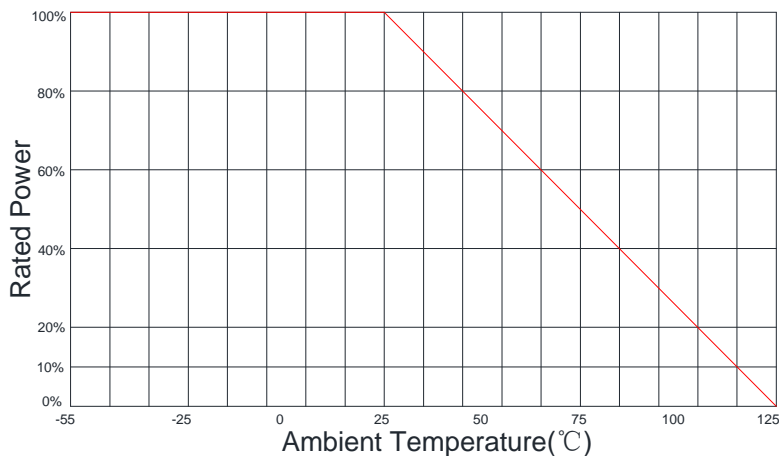
Impedance	50Ω	Connector Type	SMA Male to Female
Power	10W	Storage Temperature	-55~+125°C

Overall Dimension(mm)



Tolerances: ±2% unless otherwise stated.

Power Derating Diagram



Notes

- ◆ Coaxial attenuator impedance matched to 50Ω.
- ◆ If necessary, the product shall be air-cooled for auxiliary heat dissipation.
- ◆ For products with a power of over 50W, pay attention to the direction during use and strictly avoid reverse connection.
- ◆ Custom design is available upon request.
- ◆ It supports a one-year standard warranty.