

1000W Coaxial Attenuator DC-3GHz

Application

► Wireless communication system.

► Testing and measuring equipment.

► Radar and satellite systems.

► Military, Space and Commercial applications.

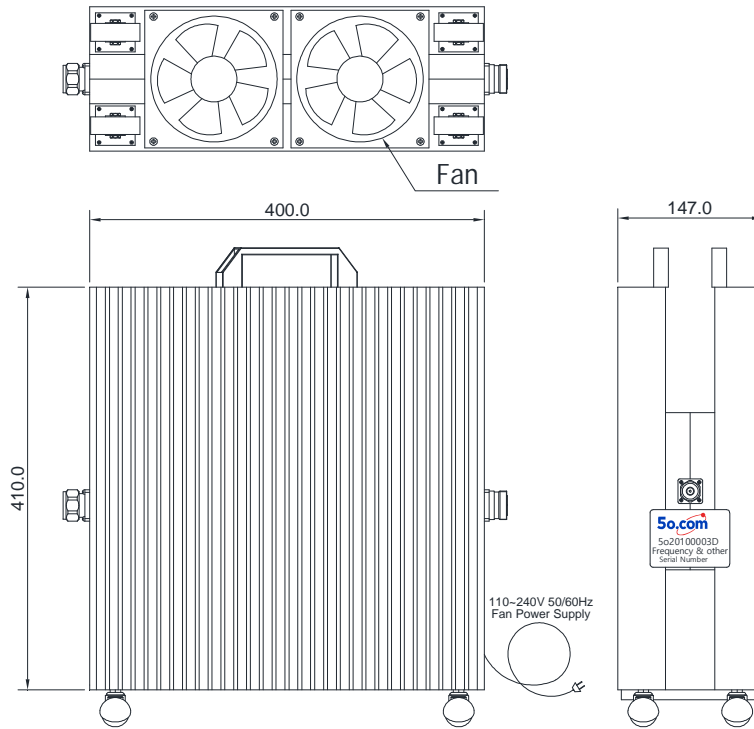
RF Characteristics

Part Number	Frequency range	Power	Attenuation Value	Attenuation Tolerance	VSWR Max	Connector Type
5o20100003D10	DC-3GHz	1000W	10 dB	±2.0 dB	1.3	7/16 Male to 7/16 Female
5o20100003D20			20 dB	±2.0 dB	1.3	7/16 Male to 7/16 Female
5o20100003D30			30 dB	±2.0 dB	1.3	7/16 Male to 7/16 Female
5o20100003D40			40 dB	±2.5 dB	1.3	7/16 Male to 7/16 Female
5o20100003D50			50 dB	±2.5 dB	1.3	7/16 Male to 7/16 Female
5o20100003D60			60 dB	±2.5 dB	1.3	7/16 Male to 7/16 Female
5o20100003DJNK10			10 dB	±2.0 dB	1.3	7/16 Male to N Female
5o20100003DJNK20			20 dB	±2.0 dB	1.3	7/16 Male to N Female
5o20100003DJNK30			30 dB	±2.0 dB	1.3	7/16 Male to N Female
5o20100003DJNK40			40 dB	±2.5 dB	1.3	7/16 Male to N Female
5o20100003DJNK50			50 dB	±2.5 dB	1.3	7/16 Male to N Female
5o20100003DJNK60			60 dB	±2.5 dB	1.3	7/16 Male to N Female
5o20100003DKNK40			40 dB	±2.5 dB	1.3	7/16 Male to N Female
5o20100003DKNJ30			30 dB	±2.0 dB	1.3	7/16 Male to N Female

Basic Specifications

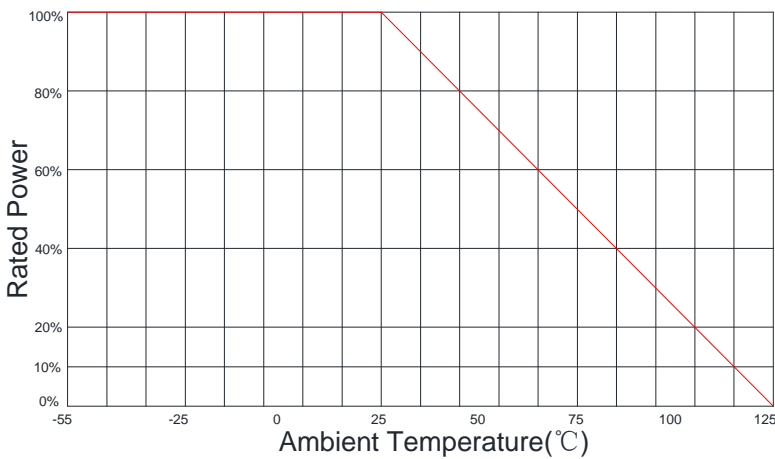
Impedance	50Ω	Storage Temperature	-55~+125°C
-----------	-----	---------------------	------------

Overall Dimension(mm)



Tolerances: $\pm 2\%$ unless otherwise stated.

Power Derating Diagram



Notes

- ◆ Coaxial attenuator impedance matched to 50Ω.
- ◆ If necessary, the product shall be air-cooled for auxiliary heat dissipation.
- ◆ For products with a power of over 50W, pay attention to the direction during use and strictly avoid reverse connection.
- ◆ Custom design is available upon request.
- ◆ It supports a one-year standard warranty.