

Microstrip Circulator 8.0 ~ 18.0GHz

Application

- ▶ RF power amplifier protection.
- ▶ Digital, Satellite, Mobile Communication.
- ▶ Medical, Communication, Security.
- ▶ Military, Space and Commercial applications.

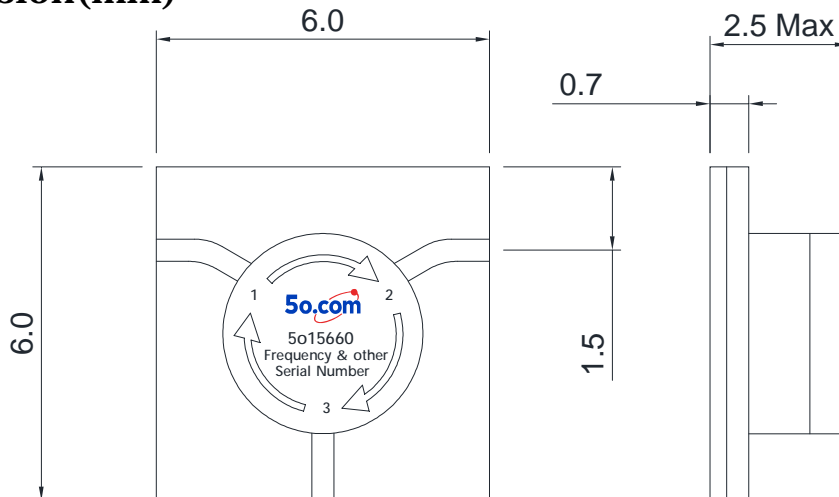
RF Characteristics

Part Number	Frequency Range (GHz)	Isolation Min(dB)	VSWR Max	Insertion Loss Max(dB)	Connector Type
5o1566089	8.0 ~ 9.0	18	1.25	0.5	Microstrip
5o15660812	8.0 ~ 12.0	15	1.4	0.6	Microstrip
5o15660814	8.0 ~ 14.0	12	1.5	0.9	Microstrip
5o15660910	9.0 ~ 10.0	20	1.25	0.5	Microstrip
5o15660911	9.0 ~ 11.0	18	1.3	0.5	Microstrip
5o15660105115	10.5 ~ 11.5	20	1.25	0.5	Microstrip
5o15660115125	11.5 ~ 12.5	20	1.25	0.5	Microstrip
5o156601213	12.0 ~ 13.0	20	1.25	0.5	Microstrip
5o15660125148	12.5 ~ 14.8	20	1.3	0.55	Microstrip
5o156601314	13.0 ~ 14.0	20	1.25	0.5	Microstrip
5o15660135145	13.5 ~ 14.5	20	1.25	0.5	Microstrip
5o156601416	14.0 ~ 16.0	18	1.3	0.5	Microstrip
5o15660145155	14.5 ~ 15.5	20	1.25	0.5	Microstrip
5o156601518	15.0 ~ 18.0	18	1.35	0.6	Microstrip
5o15660155165	15.5 ~ 16.5	20	1.25	0.5	Microstrip
5o15660165175	16.5 ~ 17.5	20	1.25	0.5	Microstrip

Basic Specifications

Dimension	6*6*2.5mm	Impedance	50Ω
Forward Power	15W	Operating Temperature	-55 ~ +85°C
Reverse Power	15W	Storage Temperature	-55~+125°C

Overall Dimension(mm)



Tolerances: ±2% unless otherwise stated.