

Microstrip Circulator 14.0 ~ 20.0GHz

Application

- ▶ RF power amplifier protection.
- ▶ Digital, Satellite, Mobile Communication.
- ▶ Medical, Communication, Security.
- ▶ Military, Space and Commercial applications.

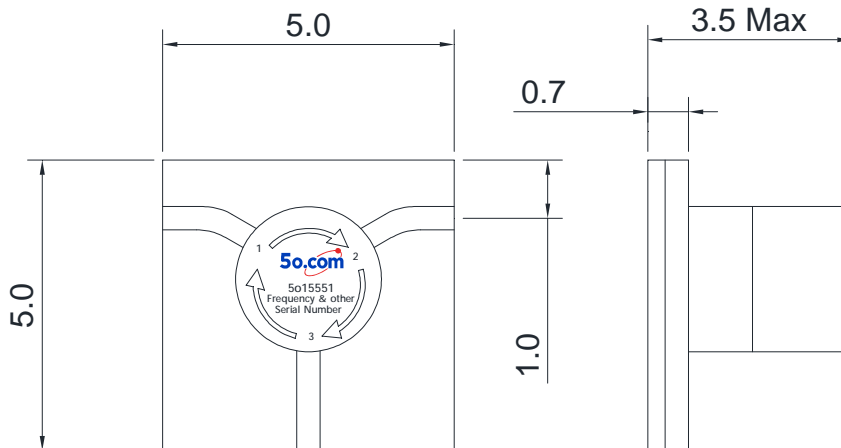
RF Characteristics

Part Number	Frequency Range (GHz)	Isolation Min(dB)	VSWR Max	Insertion Loss Max(dB)	Connector Type
5o155511516	15 ~ 16	20	1.25	0.5	Microstrip
5o155511517	15 ~ 17	20	1.25	0.5	Microstrip
5o155511518	15 ~ 18	17	1.35	0.6	Microstrip
5o155511617	16 ~ 17	20	1.25	0.5	Microstrip
5o155511719	17 ~ 19	17	1.35	0.6	Microstrip
5o15551177197	17.7 ~ 19.7	18	1.3	0.6	Microstrip
5o155511820	18 ~ 20	18	1.3	0.6	Microstrip
5o15551196212	19.6 ~ 21.2	18	1.3	0.6	Microstrip
5o155512123	21 ~ 23	18	1.3	0.6	Microstrip

Basic Specifications

Dimension	5*5*3.5mm	Impedance	50Ω
Forward Power	10W	Operating Temperature	-55 ~ +85°C
Reverse Power	10W	Storage Temperature	-55~+125°C

Overall Dimension(mm)



Instructions

Tolerances: ±2% unless otherwise stated.

- ◆ The microstrip isolator/circulator is installed via gold wire bonding.
- ◆ Avoid strong magnetic fields near the product during installation/use, as they may alter the bias magnetic field and affect performance.
- ◆ Only some common frequencies in the table can be produced according to the user's requirements.
- ◆ It supports a one-year standard warranty.