

# Microstrip Circulator 18.0 ~ 24.0GHz

## Application

- ▶ RF power amplifier protection.
- ▶ Digital, Satellite, Mobile Communication.
- ▶ Medical, Communication, Security.
- ▶ Military, Space and Commercial applications.

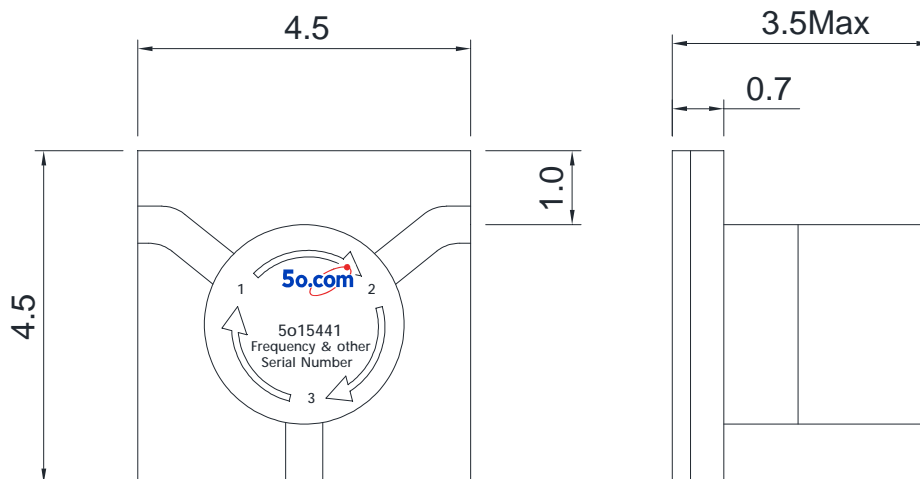
## RF Characteristics

Part Number	Frequency Range (GHz)	Isolation Min(dB)	VSWR Max	Insertion Loss Max(dB)	Connector Type
5o154411822	18.0 ~ 22.0	17	1.35	0.6	Microstrip
5o15441192232	19.2 ~ 23.2	17	1.3	0.6	Microstrip

## Basic Specifications

Dimension	4.5*4.5*3.5mm	Impedance	50Ω
Forward Power	2 W Peak 10W	Operating Temperature	-55 ~ +85°C
Reverse Power	2 W Peak 10W	Storage Temperature	-55~+125°C

## Overall Dimension(mm)



## Instructions

Tolerances: ±2% unless otherwise stated.

- ◆ The microstrip isolator/circulator is installed via gold wire bonding.
- ◆ Avoid strong magnetic fields near the product during installation/use, as they may alter the bias magnetic field and affect performance.
- ◆ Only some common frequencies in the table can be produced according to the user's requirements.
- ◆ It supports a one-year standard warranty.