

Microstrip Circulator 31.0 ~ 40.0GHz

Application

- ▶ RF power amplifier protection.
- ▶ Digital, Satellite, Mobile Communication.
- ▶ Medical, Communication, Security.
- ▶ Military, Space and Commercial applications.

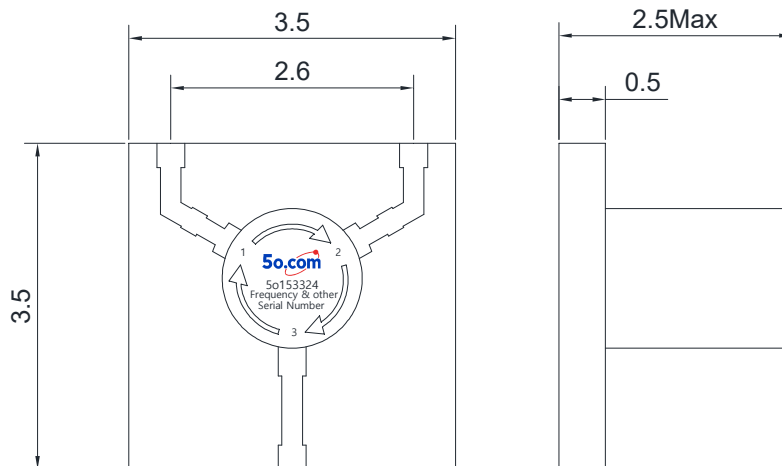
RF Characteristics

Part Number	Frequency Range (GHz)	Isolation Min(dB)	VSWR Max	Insertion Loss Max(dB)	Connector Type
5o1533243139	31 ~ 39	13	1.55	1.3	Microstrip
5o1533243238	32 ~ 38	14	1.4	1.0	Microstrip
5o1533243240	32 ~ 40	13	1.55	1.3	Microstrip
5o1533243337	33 ~ 37	14	1.4	1.0	Microstrip
5o1533243540	35 ~ 40	14	1.4	1.0	Microstrip

Basic Specifications

Dimension	3.5*3.5*2.5mm	Impedance	50Ω
Forward Power	2W	Operating Temperature	-55 ~ +85°C
Reverse Power	2W	Storage Temperature	-55~+125°C

Overall Dimension(mm)



Instructions

Tolerances: ±2% unless otherwise stated.

- ◆ The microstrip isolator/circulator is installed via gold wire bonding.
- ◆ Avoid strong magnetic fields near the product during installation/use, as they may alter the bias magnetic field and affect performance.
- ◆ Only some common frequencies in the table can be produced according to the user's requirements.
- ◆ It supports a one-year standard warranty.