

Microstrip Circulator 2.7 ~ 4.9GHz

Application

- ▶ RF power amplifier protection.
- ▶ Digital, Satellite, Mobile Communication.
- ▶ Medical, Communication, Security.
- ▶ Military, Space and Commercial applications.

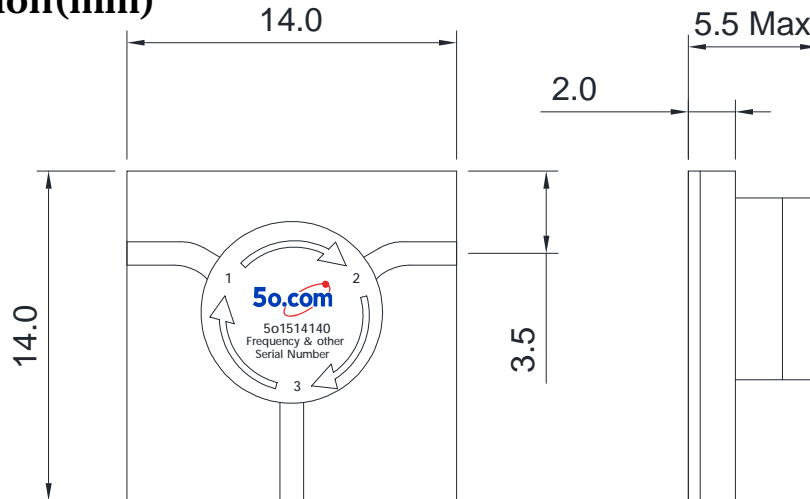
RF Characteristics

Part Number	Frequency Range (GHz)	Isolation Min(dB)	VSWR Max	Insertion Loss Max(dB)	Connector Type
5o15141402731	2.7 ~ 3.1	20	1.2	0.5	Microstrip
5o15141402735	2.7 ~ 3.5	18	1.3	0.6	Microstrip
5o1514140334	3.0 ~ 3.4	20	1.2	0.4	Microstrip
5o1514140345	3.0 ~ 4.5	16	1.35	0.8	Microstrip
5o1514140314	3.1 ~ 4.0	18	1.3	0.6	Microstrip
5o15141403242	3.2 ~ 4.2	16	1.35	0.7	Microstrip
5o15141403236	3.2 ~ 3.6	20	1.2	0.4	Microstrip
5o15141403349	3.3 ~ 4.9	15	1.45	0.8	Microstrip
5o15141403437	3.4 ~ 3.7	20	1.2	0.4	Microstrip
5o1514140374	3.7 ~ 4.0	20	1.2	0.4	Microstrip

Basic Specifications

Dimension	14*14*5.5mm	Impedance	50Ω
Forward Power	15W	Operating Temperature	-55 ~ +85°C
Reverse Power	15W	Storage Temperature	-55~+125°C

Overall Dimension(mm)



Tolerances: ±2% unless otherwise stated.

Instructions

- ◆ The microstrip isolator/circulator is installed via gold wire bonding.
- ◆ Avoid strong magnetic fields near the product during installation/use, as they may alter the bias magnetic field and affect performance.
- ◆ Only some common frequencies in the table can be produced according to the user's requirements.
- ◆ It supports a one-year standard warranty.