

# Microstrip Circulator 4.0 ~ 5.85GHz

## Application

- ▶ RF power amplifier protection.
- ▶ Digital, Satellite, Mobile Communication.
- ▶ Medical, Communication, Security.
- ▶ Military, Space and Commercial applications.

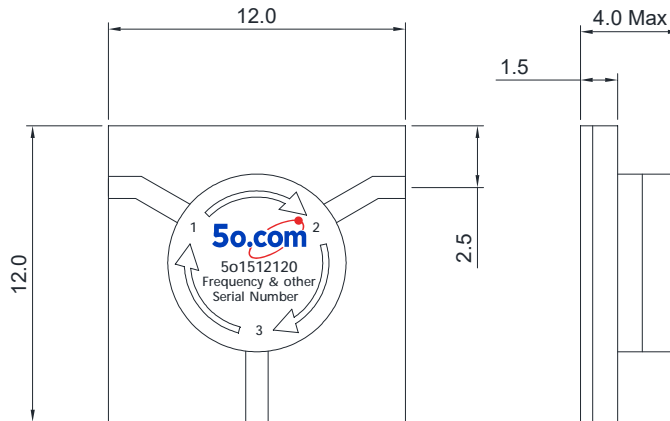
## RF Characteristics

Part Number	Frequency Range (GHz)	Isolation Min(dB)	VSWR Max	Insertion Loss Max(dB)	Connector Type
5o1512120445	4.0 ~ 4.5	20	1.2	0.4	Microstrip
5o15121204254	4.2 ~ 5.4	18	1.3	0.6	Microstrip
5o15121204255	4.2 ~ 5.5	18	1.3	0.6	Microstrip
5o15121204447	4.4 ~ 4.7	20	1.2	0.4	Microstrip
5o151212044585	4.4 ~ 5.85	18	1.3	0.6	Microstrip
5o1512120455	4.5 ~ 5.0	20	1.2	0.4	Microstrip
5o15121204852	4.8 ~ 5.2	20	1.2	0.4	Microstrip
5o1512120556	5.0 ~ 5.6	20	1.25	0.4	Microstrip
5o15121205258	5.2 ~ 5.8	20	1.25	0.4	Microstrip

## Basic Specifications

<b>Dimension</b>	12*12*4mm	<b>Impedance</b>	50Ω
<b>Forward Power</b>	15W	<b>Operating Temperature</b>	-55 ~ +85°C
<b>Reverse Power</b>	15W	<b>Storage Temperature</b>	-55~+125°C

## Overall Dimension(mm)



## Instructions

Tolerances: ±2% unless otherwise stated.

- ◆ The microstrip isolator/circulator is installed via gold wire bonding.
- ◆ Avoid strong magnetic fields near the product during installation/use, as they may alter the bias magnetic field and affect performance.
- ◆ Only some common frequencies in the table can be produced according to the user's requirements.
- ◆ It supports a one-year standard warranty.