

Microstrip Circulator 5.0 ~ 7.5GHz

Application

- ▶ RF power amplifier protection.
- ▶ Digital, Satellite, Mobile Communication.
- ▶ Medical, Communication, Security.
- ▶ Military, Space and Commercial applications.

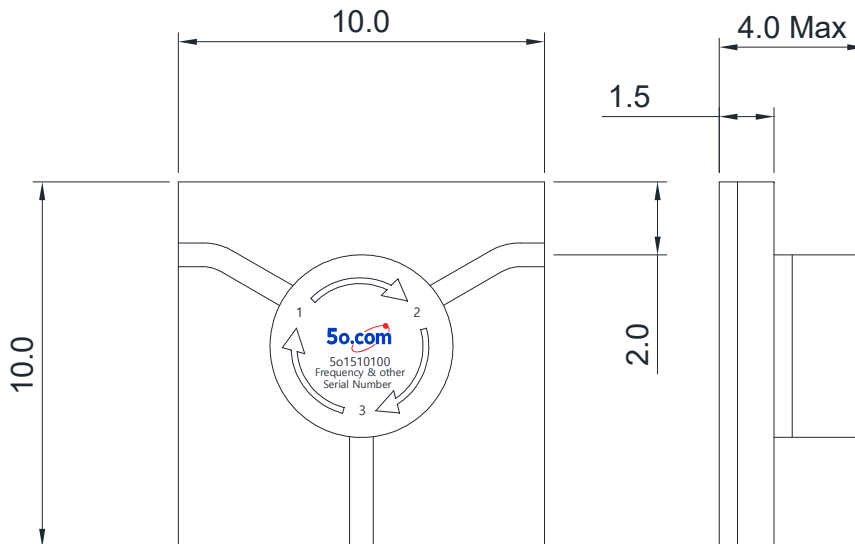
RF Characteristics

Part Number	Frequency Range (GHz)	Isolation Min(dB)	VSWR Max	Insertion Loss Max(dB)	Connector Type
5o1510100556	5.0 ~ 5.6	20	1.2	0.4	Microstrip
5o151010056	5.0 ~ 6.0	18	1.3	0.5	Microstrip
5o15101005258	5.2 ~ 5.8	20	1.2	0.4	Microstrip
5o1510100576	5.7 ~ 6.0	20	1.2	0.4	Microstrip
5o15101005867	5.8 ~ 6.7	18	1.3	0.5	Microstrip
5o1510100665	6.0 ~ 6.5	20	1.25	0.5	Microstrip
5o1510100647	6.4 ~ 7.0	20	1.25	0.5	Microstrip
5o15101006575	6.5 ~ 7.5	20	1.3	0.5	Microstrip

Basic Specifications

Dimension	10*10*4mm	Impedance	50Ω
Forward Power	15W	Operating Temperature	-55 ~ +85°C
Reverse Power	15W	Storage Temperature	-55~+125°C

Overall Dimension(mm)



Instructions

Tolerances: ±2% unless otherwise stated.

- ◆ The microstrip isolator/circulator is installed via gold wire bonding.
- ◆ Avoid strong magnetic fields near the product during installation/use, as they may alter the bias magnetic field and affect performance.
- ◆ Only some common frequencies in the table can be produced according to the user's requirements.
- ◆ It supports a one-year standard warranty.