

Surface Mount Circulator 200 to 1875MHz

Application

- ▶ RF power amplifier protection.
- ▶ Digital, Satellite, Mobile Communication.
- ▶ Medical, Communication, Security.
- ▶ Military, Space and Commercial applications.

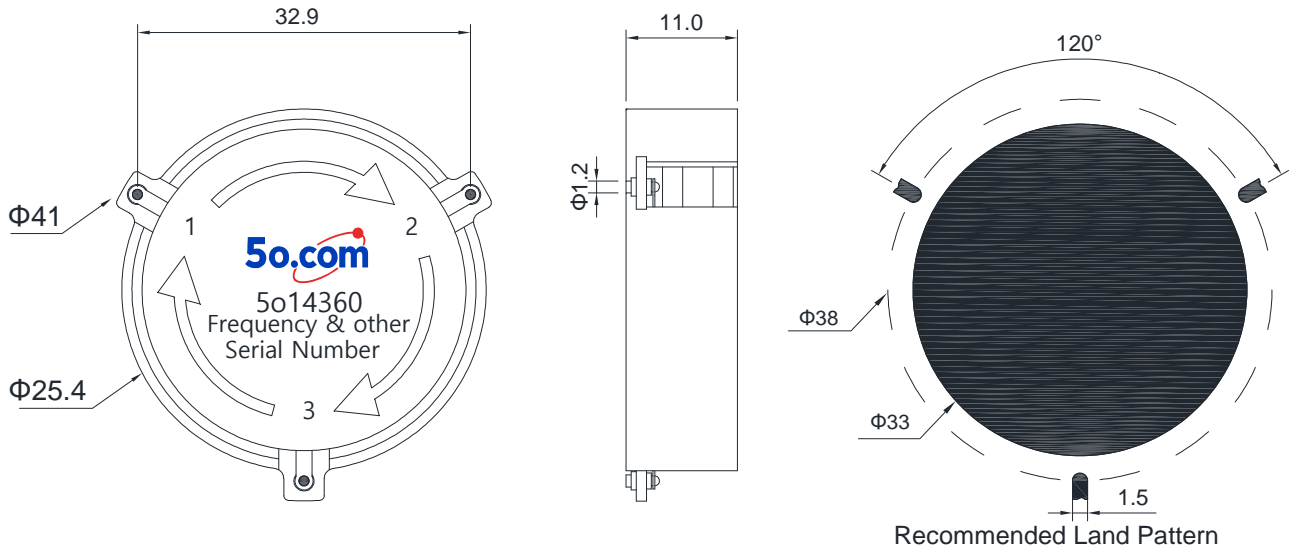
RF Characteristics

Part Number	Frequency Range (MHz)	Isolation Min(dB)	VSWR Max	Insertion Loss Max(dB)	Connector Type	Temp.(°C)
5o14360220240	220 ~ 240	18	1.3	0.65	SMT	-20 ~ +65
5o14360240260	240 ~ 260	18	1.3	0.5	SMT	-20 ~ +65
5o14360260280	260 ~ 280	20	1.25	0.5	SMT	-20 ~ +65
5o14360309339	309 ~ 339	20	1.25	0.4	SMT	-20 ~ +65
5o14360350370	350 ~ 370	21	1.2	0.35	SMT	-20 ~ +65
5o14360380460	380 ~ 460	18	1.3	0.5	SMT	-20 ~ +65
5o14360390410	390 ~ 410	23	1.2	0.3	SMT	-30 ~ +70
5o14360400470	400 ~ 470	20	1.25	0.4	SMT	-30 ~ +70
5o14360413419	413 ~ 419	30	1.15	0.3	SMT	-30 ~ +70
5o14360419425	419 ~ 425	30	1.15	0.3	SMT	-30 ~ +70
5o14360440470	440 ~ 470	23	1.2	0.3	SMT	-30 ~ +70
5o14360450520	450 ~ 520	20	1.25	0.4	SMT	-20 ~ +65
5o14360600800	600 ~ 800	19	1.25	0.5	SMT	-20 ~ +65
5o14360700900	700 ~ 900	20	1.25	0.4	SMT	-30 ~ +70
5o143607001000	700 ~ 1000	16	1.4	0.6	SMT	-20 ~ +65
5o14360770860	770 ~ 860	23	1.2	0.3	SMT	-30 ~ +70
5o14360860872	860 ~ 872	30	1.15	0.25	SMT	-20 ~ +65
5o14360900930	900 ~ 930	30	1.15	0.2	SMT	-40 ~ +85
5o1436010001300	1000 ~ 1300	20	1.25	0.4	SMT	-30 ~ +70
5o1436011001700	1100 ~ 1700	15	1.45	0.5	SMT	-30 ~ +70
5o1436012961298	1296 ~ 1298	30	1.15	0.2	SMT	-30 ~ +70

Basic Specifications

Dimension	$\Phi 36*11\text{mm}$	Impedance	50Ω
Forward Power	200W	Operating Temperature	-40 ~ +85°C
Reverse Power	200W	Storage Temperature	-55~+125°C

Overall Dimension(mm)



Tolerances: $\pm 2\%$ unless otherwise stated.

Instructions

- ◆ When surface mount isolators/circulators use reflow soldering technology, the maximum temperature shall not exceed 260 degrees.
- ◆ Only some common frequencies in the table can be produced according to the user's requirements.
- ◆ It supports a one-year standard warranty.