

Surface Mount Circulator 200 ~ 3600MHz

Application

- ▶ RF power amplifier protection.
- ▶ Medical, Communication, Security.
- ▶ Digital, Satellite, Mobile Communication.
- ▶ Military, Space and Commercial applications.

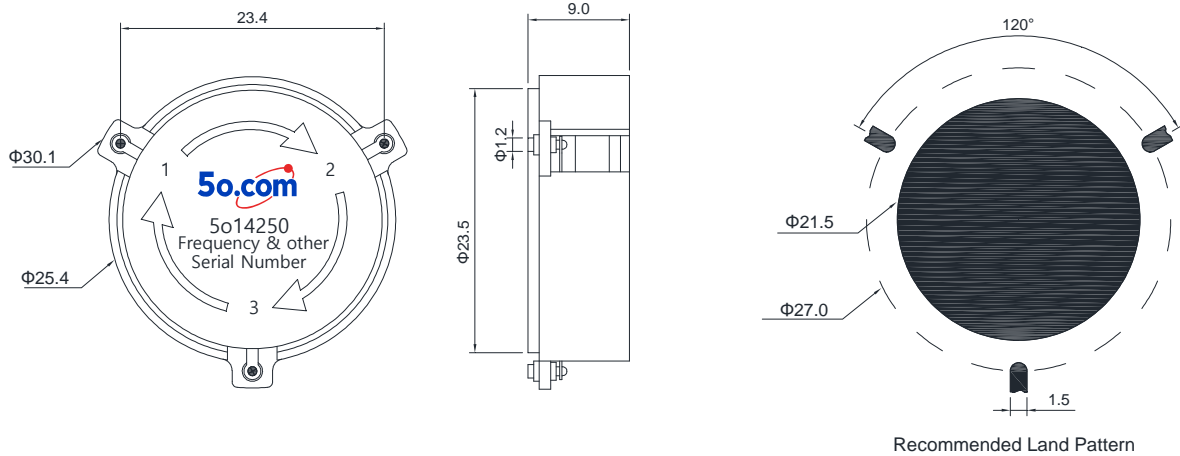
RF Characteristics

Part Number	Frequency Range (MHz)	Isolation Min(dB)	VSWR Max	Insertion Loss Max(dB)	Connector Type
5o14250210220	210 ~ 220	18	1.3	0.6	SMT
5o14250220230	220 ~ 230	18	1.3	0.5	SMT
5o14250250270	250 ~ 270	18	1.3	0.5	SMT
5o14250300320	300 ~ 320	20	1.25	0.5	SMT
5o14250350370	350 ~ 370	20	1.25	0.4	SMT
5o14250380460	380 ~ 460	17	1.35	0.5	SMT
5o14250400470	400 ~ 470	18	1.3	0.5	SMT
5o14250410425	410 ~ 425	25	1.15	0.3	SMT
5o14250430470	430 ~ 470	20	1.25	0.4	SMT
5o14250450512	450 ~ 512	20	1.25	0.5	SMT
5o14250490510	490 ~ 510	25	1.15	0.25	SMT
5o14250600700	600 ~ 700	21	1.2	0.3	SMT
5o14250700803	700 ~ 803	23	1.2	0.3	SMT
5o142508001000	800 ~ 1000	19	1.25	0.4	SMT
5o14250860960	860 ~ 960	23	1.25	0.3	SMT
5o14250869894	869 ~ 894	25	1.15	0.2	SMT
5o14250925960	925 ~ 960	25	1.15	0.2	SMT
5o142509501250	950 ~ 1250	18	1.3	0.5	SMT
5o1425011501650	1150 ~ 1650	15	1.45	0.5	SMT
5o1425012001400	1200 ~ 1400	23	1.2	0.3	SMT
5o1425013001800	1300 ~ 1800	16	1.4	0.5	SMT
5o1425015001700	1500 ~ 1700	23	1.2	0.3	SMT
5o1425017102170	1710 ~ 2170	20	1.25	0.4	SMT
5o1425018051880	1805 ~ 1880	25	1.15	0.2	SMT
5o1425019201990	1920 ~ 1990	25	1.15	0.2	SMT
5o1425020002500	2000 ~ 2500	20	1.25	0.5	SMT
5o1425023002500	2300 ~ 2500	25	1.15	0.25	SMT
5o1425023002700	2300 ~ 2700	23	1.2	0.3	SMT
5o1425024002600	2400 ~ 2600	25	1.15	0.25	SMT
5o1425024962690	2496 ~ 2690	25	1.15	0.25	SMT
5o1425025002700	2500 ~ 2700	25	1.15	0.25	SMT
5o1425027003100	2700 ~ 3100	23	1.2	0.25	SMT
5o1425030003600	3000 ~ 3600	20	1.25	0.3	SMT

Basic Specifications

Dimension	Φ 25.4*9mm	Impedance	50 Ω
Forward Power	100W	Operating Temperature	-40 ~ +85°C
Reverse Power	100W	Storage Temperature	-55~+125°C

Overall Dimension(mm)



Recommended Land Pattern

Tolerances: $\pm 2\%$ unless otherwise stated.

Instructions

- ◆ When surface mount isolators/circulators use reflow soldering technology, the maximum temperature shall not exceed 260 degrees.
- ◆ Only some common frequencies in the table can be produced according to the user's requirements.
- ◆ It supports a one-year standard warranty.