

Surface Mount Circulator 400 ~ 4200MHz

Application

- ▶ RF power amplifier protection.
- ▶ Digital, Satellite, Mobile Communication.
- ▶ Medical, Communication, Security.
- ▶ Military, Space and Commercial applications.

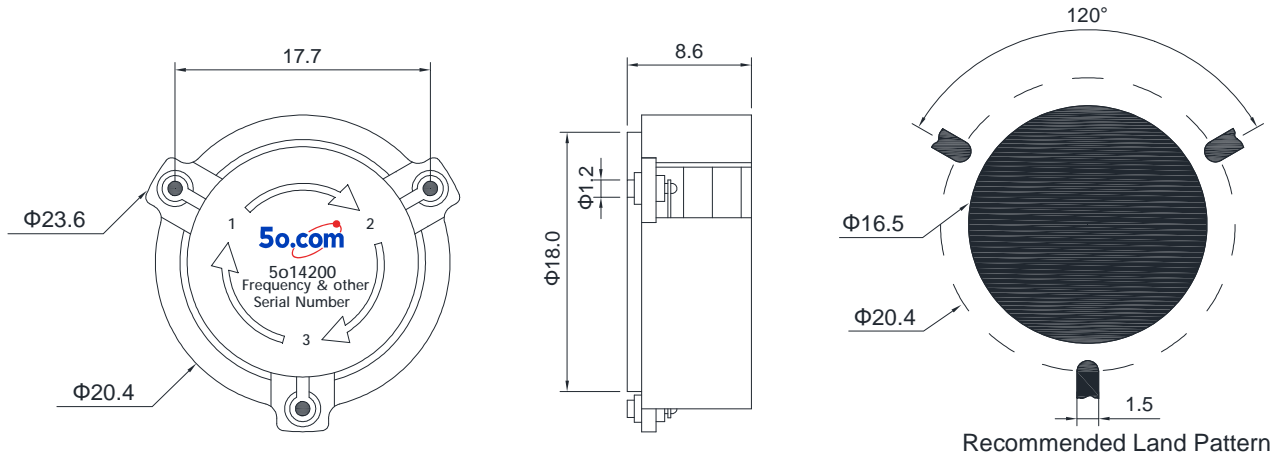
RF Characteristics

Part Number	Frequency Range (MHz)	Isolation Min(dB)	VSWR Max	Insertion Loss Max(dB)	Connector Type	Temp.(°C)
5o14200220240	220 ~ 240	18	1.3	0.65	SMT	-20 ~ +65
5o14200400420	400 ~ 420	16	1.4	0.7	SMT	-40 ~ +85
5o14200430450	430 ~ 450	18	1.3	0.5	SMT	-40 ~ +85
5o14200450470	450 ~ 470	20	1.25	0.5	SMT	-40 ~ +85
5o14200470490	470 ~ 490	20	1.25	0.5	SMT	-40 ~ +85
5o14200490510	490 ~ 510	20	1.25	0.5	SMT	-40 ~ +85
5o14200700800	700 ~ 800	18	1.3	0.5	SMT	-40 ~ +85
5o14200825865	825 ~ 865	20	1.25	0.35	SMT	-40 ~ +85
5o14200860960	860 ~ 960	20	1.25	0.4	SMT	-40 ~ +85
5o14200869894	869 ~ 894	23	1.2	0.3	SMT	-40 ~ +85
5o14200880960	880 ~ 960	23	1.2	0.3	SMT	-40 ~ +85
5o14200902928	902 ~ 928	25	1.15	0.25	SMT	-40 ~ +85
5o14200925960	925 ~ 960	25	1.15	0.25	SMT	-40 ~ +85
5o1420010001200	1000 ~ 1200	20	1.25	0.4	SMT	-40 ~ +85
5o1420014501550	1450 ~ 1550	23	1.2	0.3	SMT	-40 ~ +85
5o1420017102170	1710 ~ 2170	18	1.3	0.5	SMT	-40 ~ +85
5o1420017151805	1715 ~ 1805	23	1.2	0.3	SMT	-40 ~ +85
5o1420018051880	1805 ~ 1880	25	1.15	0.25	SMT	-40 ~ +85
5o1420019201990	1920 ~ 1990	25	1.15	0.25	SMT	-40 ~ +85
5o1420021102170	2110 ~ 2170	25	1.15	0.25	SMT	-40 ~ +85
5o1420020002700	2000 ~ 2700	18	1.3	0.5	SMT	-40 ~ +85
5o1420022002300	2200 ~ 2300	23	1.2	0.3	SMT	-40 ~ +85
5o1420024002500	2400 ~ 2500	23	1.2	0.3	SMT	-40 ~ +85
5o1420024962690	2496 ~ 2690	23	1.2	0.3	SMT	-40 ~ +85
5o1420025002600	2500 ~ 2600	23	1.2	0.3	SMT	-40 ~ +85
5o1420027003100	2700 ~ 3100	20	1.25	0.4	SMT	-40 ~ +85
5o1420030003500	3000 ~ 3500	20	1.25	0.4	SMT	-40 ~ +85
5o1420033003700	3300 ~ 3700	23	1.2	0.3	SMT	-40 ~ +85
5o1420037004200	3700 ~ 4200	20	1.25	0.4	SMT	-40 ~ +85

Basic Specifications

Dimension	Φ 20.4*8.6mm	Impedance	50 Ω
Forward Power	60W	Operating Temperature	-40 ~ +85 $^{\circ}$ C
Reverse Power	60W	Storage Temperature	-55~+125 $^{\circ}$ C

Overall Dimension(mm)



Tolerances: $\pm 2\%$ unless otherwise stated.

Instructions

- ◆ When surface mount isolators/circulators use reflow soldering technology, the maximum temperature shall not exceed 260 degrees.
- ◆ Only some common frequencies in the table can be produced according to the user's requirements.
- ◆ It supports a one-year standard warranty.